



INSTALLING POLY/RESIN CAPITALS ON WOOD COLUMNS

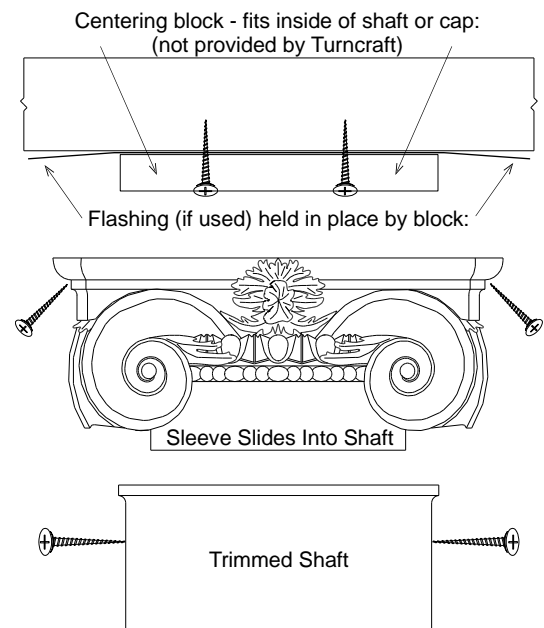
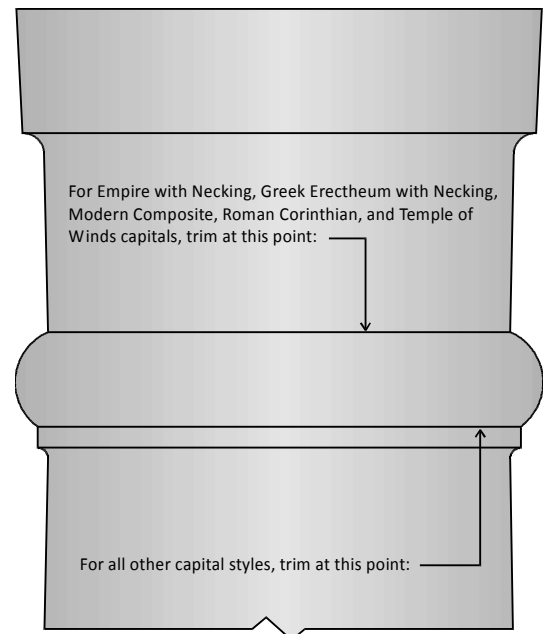
Capitals with centering neck sleeves* are made of a load-bearing Poly/Resin material, and have a centering sleeve ("neck sleeve" or "plug") built-in to connect the column shaft to the capital. When using caps with neck sleeves, the top of the shaft should be correctly trimmed before installing the capital. (The factory may trim the shaft before shipping.) For an architecturally correct installation, using Empire, Greek Angular Ionic, Greek Erectheum, Roman Doric Ornamental, Roman Ionic or Scamozzi capitals, the installer should trim to below the neck ring, leaving only the flat ring (fillet) directly below the neck ring. For Empire with Necking, Greek Erectheum with Necking, Modern Composite, Roman Corinthian and Temple of Winds capitals, the shaft should be trimmed flush at the top of the astragal. See the trimming illustration at right. (The top of your shaft profile may differ from the illustration.)

Since the different capital styles have different heights, the overall maximum height of the finished column will most likely change. Please see the "Height Adjust" information in the Wood Colonial Column Ornamental Capitals specifications pages to determine the height difference when using ornamental capitals.

Installation Steps (in addition to standard instructions):

- 1) All column installations should be flashed if they are placed in an area where water, debris, etc. could accumulate inside the shaft. Cut flashing approximately 1/2" larger than top of capital.
- 2) To help keep the top of the column in the correct place, you may want to cut a "centering block" to fit inside the top of the capital. Scraps of plywood or other materials are commonly used. Cut the block to fit loosely inside the top of the capital. Centering block can also be used to hold flashing (if used) in place. Attach block to beam/soffit with non-corrosive screws.
- 3) Calculate the correct finish height (distance from beam to floor). See standard instructions for how to measure and trim column shaft to fit correctly into the opening height.
- 4) Set the capital on top of the column shaft. Pre-drill shaft and neck sleeve and countersink the column shaft where you want screws to attach the capital to the shaft. Remove cap, apply construction adhesive or caulking to the base of the cap and the neck sleeve, then re-insert into the top of the shaft, and attach with non-corrosive screws.
- 5) Following the standard installation instructions, attach the base to the bottom of the column shaft.
- 6) Apply construction adhesive or caulk as needed to the top of the cap. If necessary, jack up the roof where the column is to be installed (approximately 1/4" is usually sufficient.) Raise the column into place, slipping the top over the centering block, then sliding the bottom in until the column is plumb. Lower roof onto column.
- 7) Pre-drill and counter-sink through the capital abacus (top) and attach to the ceiling/soffit with non-corrosive screws. Attach column at base (see standard column installation instructions).
- 8) Fold edges of flashing (if used) down over sides of capital. Fill all counter-sunk screw holes, seams, etc. with caulk. Sand, clean and finish according to standard instructions.

*Capitals for split columns should not have neck sleeves. See reverse.





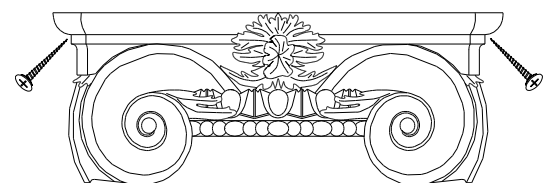
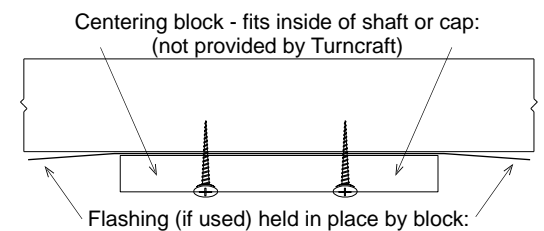
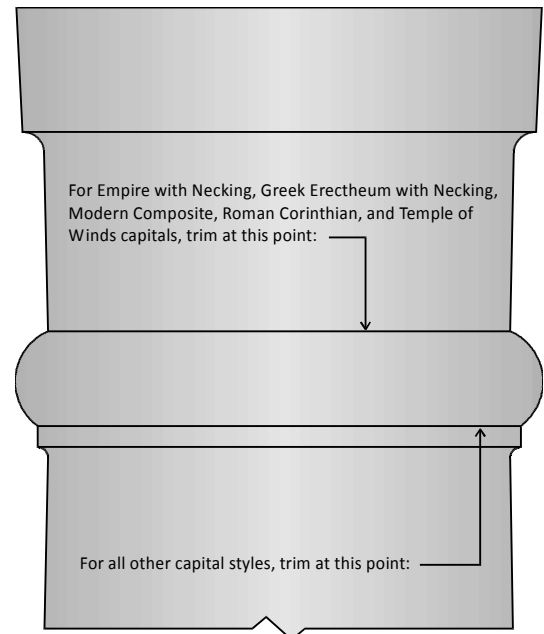
INSTALLING POLY/RESIN CAPITALS ON *SPLIT* WOOD COLUMNS

Capitals for **SPLIT** columns* are made of a load-bearing Poly/Resin material, and DO NOT have a centering sleeve. When using capitals, the top of the shaft should be correctly trimmed before installing the capital. (The factory may trim the shaft before shipping.) For an architecturally correct installation, using Empire, Greek Angular Ionic, Greek Erectheum, Roman Doric Ornamental, Roman Ionic or Scamozzi capitals, the installer should trim to below the neck ring, leaving only the flat ring (fillet) directly below the neck ring. For Empire with Necking, Greek Erectheum with Necking, Modern Composite, Roman Corinthian and Temple of Winds capitals, the shaft should be trimmed flush at the top of the astragal. See the trimming illustration at right. (The top of your shaft profile may differ from the illustration.)

Since the different capital styles have different heights, the overall maximum height of the finished column will most likely change. Please see the "Height Adjust" information in the Wood Colonial Column Ornamental Capitals specifications pages to determine the height difference when using ornamental capitals.

Installation Steps (in addition to standard instructions):

1. All column installations should be flashed if they are placed in an area where water, debris, etc. could accumulate inside the shaft. Cut flashing approximately 1/2" larger than top of capital.
2. To help keep the top of the column in the correct place, you may want to cut a "centering block" to fit inside the top of the capital. Scraps of plywood or other materials are commonly used. Cut the block to fit loosely inside the top of the capital. Centering block can also be used to hold flashing (if used) in place. Attach block to beam/soffit with non-corrosive screws.
3. Calculate the correct finish height (distance from beam to floor). See standard instructions for how to measure and trim column shaft to fit correctly into the opening height. Allow approximately 1/8" space above capital to assist in fitting capital in place (see step 7).
4. Following the standard installation instructions, attach the base to the bottom of the column shaft.
5. Column shafts:
 - a. If column is being reassembled, follow split column reassembly instructions (separate sheet) to put halves together, eliminating steps referring to the standard cap.
 - b. If column is used as a pilaster, attach blocking (furring strips) to wall as needed. Attach column to blocking.
6. Pre-drill and counter-sink through the capital abacus (top). Capital may also be pre-drilled and counter-sunk to fasten to blocking or center load support.
7. Apply construction adhesive to the cut edges, top and bottom of one capital half. Slide in place and center on top of column shaft, and attach with non-corrosive screws. (If this is a reassembled column, repeat for second half of capital.) Clean up excess adhesive immediately!
8. Fold edges of flashing (if used) down over sides of capital. Fill all counter-sunk screw holes, seams, etc. with caulk. Sand, clean and finish according to standard instructions.



Capital slides in place on top of shaft.



*Capitals for whole columns should have neck sleeves. See reverse.