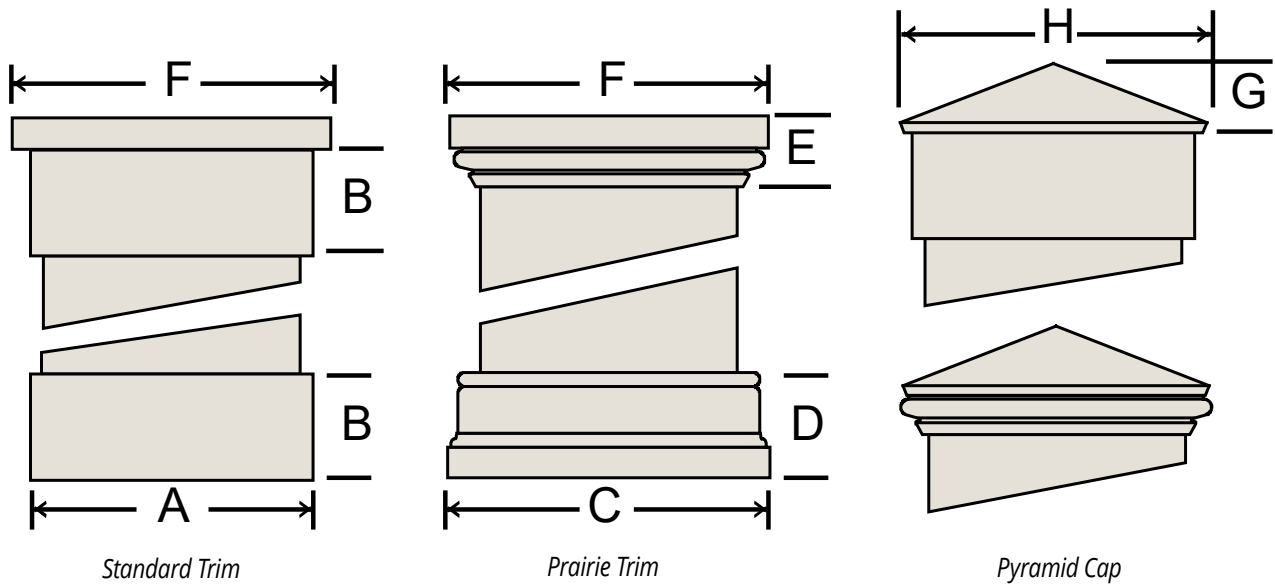


**POLY-CLASSIC® CRAFTSMAN PEDESTAL/NEWEL TRIM KIT STYLES**

The Trim Kits for non-tapered Craftsman Series pedestals consist of a mitered wrap or a molding, with a 1" thick top platform. For pedestals, the top platform has the same "V" cut as the tapered cap/base platforms. The top platform is shipped without the "V" cut when used for a newel post. Another newel post option, the pyramid cap, may be substituted for the top platform.

For non-standard shaft sizes, the widths of the trim kits will adjusted accordingly. The heights however will remain the same. The height of the Standard Trim (B) may be changed at the customer's request. When considering the space requirements to wrap the load support, the inside width of the pedestal shaft is the specification which would be applicable. See the Pedestal / Newel specifications page for inside widths, shaft sizes, and styles available.



Column nominal width	Standard Trim		Prairie Trim			Platform	Pyramid Cap	
	Width (A)	Height (B)	Base width (C)	Base height (D)	Top height (E)	Top width † (F)	Cap height ± 1/16" (G)	Cap width (H)
6"	6 7/8"	3 1/4"	8 1/8"	3 1/4"	2 1/8"	7 5/8"	2 1/16"	7 7/8"
8"	8 7/8"	3 1/4"	10 1/8"	3 1/4"	2 1/8"	9 5/8"	2 1/2"	9 7/8"
10"	10 7/8"	3 1/4"	12 1/8"	3 1/4"	2 1/8"	11 5/8"	2 7/8"	11 7/8"
12"	12 7/8"	3 1/4"	14 1/8"	3 1/4"	2 1/8"	13 5/8"	3 1/4"	13 7/8"
14"	14 7/8"	3 1/4"	16 1/8"	3 1/4"	2 1/8"	15 5/8"	3 5/8"	15 7/8"
16"	16 7/8"	3 1/4"	18 1/8"	3 1/4"	2 1/8"	17 3/8"	4"	17 7/8"
18"	18 7/8"	3 1/4"	20 1/8"	3 1/4"	2 1/8"	19 5/8"	4 3/8"	19 7/8"
20"	20 7/8"	3 1/4"	22 1/8"	3 1/4"	2 1/8"	21 5/8"	4 13/16"	21 7/8"
22"	22 7/8"	3 1/4"	24 1/8"	3 1/4"	2 1/8"	23 5/8"	5 3/16"	23 7/8"
24"	24 7/8"	3 1/4"	26 1/8"	3 1/4"	2 1/8"	25 5/8"	5 9/16"	25 7/8"
26"	26 7/8"	3 1/4"	28 1/8"	3 1/4"	2 1/8"	27 5/8"	6 5/16"	27 7/8"
28"	28 7/8"	3 1/4"	30 1/8"	3 1/4"	2 1/8"	29 5/8"	6 3/8"	29 7/8"
30"	30 7/8"	3 1/4"	32 1/8"	3 1/4"	2 1/8"	31 5/8"	6 3/4"	31 7/8"

† Platform widths apply to pedestals and newels, unless the newel is using the pyramid cap.