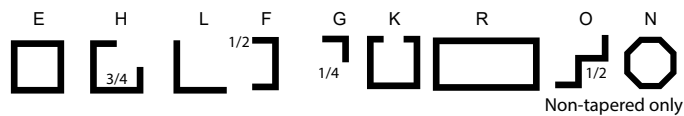


**THE STYLE IS TIMELESS.  
NOW THE COLUMN IS, TOO.**

Born out of the understated, practical tradition of the early 1900s Arts and Crafts movement, the square tapered column has become popular in modern adaptations of the the Craftsman, Prairie, Bungalow, Country and Mission style homes of today. Now this timeless style is available in expanded cellular PVC for quick, easy assembly and virtually maintenance-free performance!

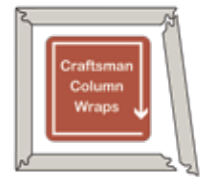
**PLAN TYPES**

Craftsman Series are available in the following plan types. Please specify when you order. (Customer may specify actual returns, wall thicknesses, etc.) Plan O & N are available only as non-tapered.

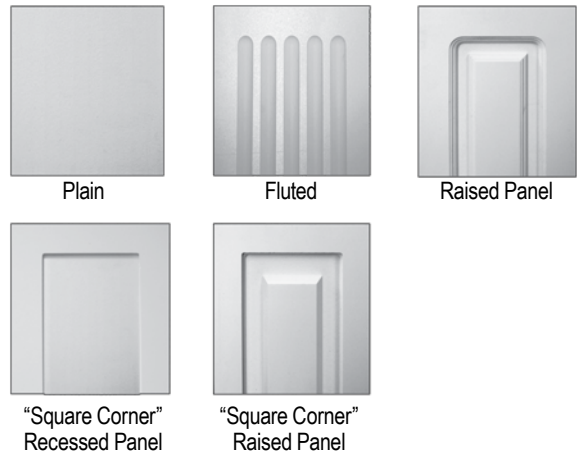


**PRECISION MITER JOINTS**

Vertical edges of Craftsman shafts (tapered, non-tapered, pedestal and newel post styles) all incorporate the E-Z Lock miter joint for consistently straight miters.



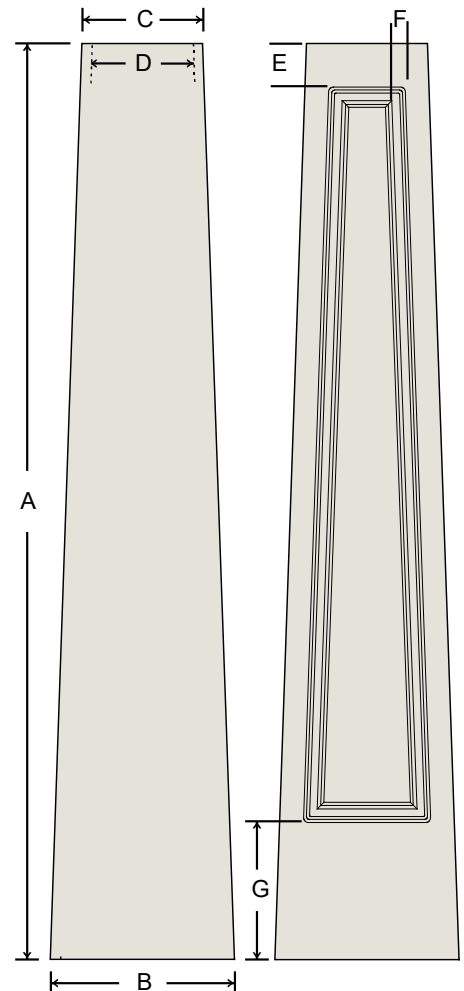
**PANEL STYLES**



**POLY-CLASSIC® CRAFTSMAN TAPERED SQUARE**

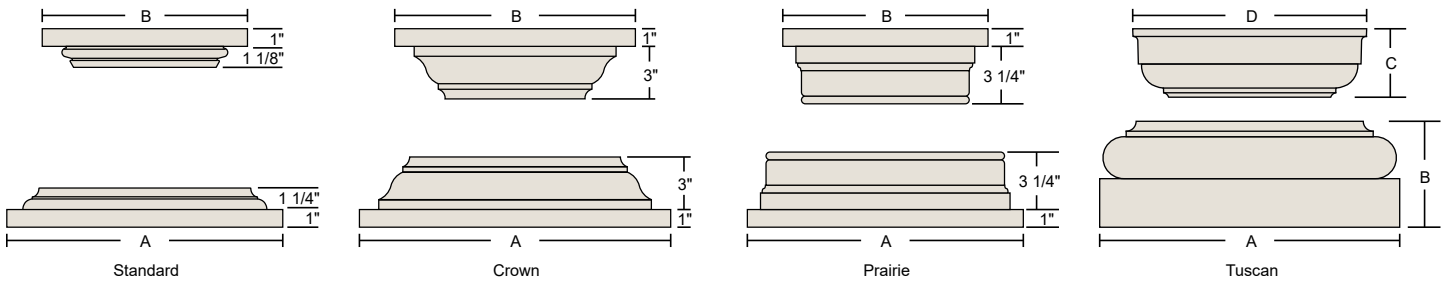
Craftsman columns are available plain, or with three different paneled options: raised panel, "square corner" raised panel, and recessed panel. (Since all tooling used for routing the panels is done with round bits, there will always be some radius in the corners. The "square corner" style uses the smallest bit possible to minimize that radius - about 1/8".)

| Nominal width | Available heights | Shaft dimensions |              |               |              | Panel dimensions †     |                   |                    |                         |
|---------------|-------------------|------------------|--------------|---------------|--------------|------------------------|-------------------|--------------------|-------------------------|
|               |                   | Bottom           |              | Top           |              | From bottom of shaft ‡ | From top of shaft | From side of shaft | Width of routed channel |
|               |                   | Outside width    | Inside width | Outside width | Inside width |                        |                   |                    |                         |
| (A)           | (B)               | (C)              | (E)          | (D)           | (F)          | (G)                    | (I)               | (H)                |                         |
| 10"           | 4'                | 9 5/8"           | 8 3/8"       | 5 5/8"        | 4 3/8"       | 10 1/2"                | 2 1/2"            | 1 1/4"             | 3/4"                    |
|               | 5'                |                  |              |               |              |                        |                   |                    |                         |
|               | 6'                |                  |              |               |              |                        |                   |                    |                         |
|               | 8'                |                  |              |               |              |                        |                   |                    |                         |
|               | 10'               |                  |              |               |              |                        |                   |                    |                         |
| 12"           | 4'                | 11 5/8"          | 10 3/8"      | 7 5/8"        | 6 3/8"       | 10 1/2"                | 2 1/2"            | 1 1/2"             | 1 1/4"                  |
|               | 5'                |                  |              |               |              |                        |                   |                    |                         |
|               | 6'                |                  |              |               |              |                        |                   |                    |                         |
|               | 8'                |                  |              |               |              |                        |                   |                    |                         |
|               | 10'               |                  |              |               |              |                        |                   |                    |                         |
| 16"           | 4'                | 15 5/8"          | 14 3/8"      | 11 5/8"       | 10 3/8"      | 10 1/2"                | 2 1/2"            | 1 1/2"             | 1 1/4"                  |
|               | 5'                |                  |              |               |              |                        |                   |                    |                         |
|               | 6'                |                  |              |               |              |                        |                   |                    |                         |
|               | 8'                |                  |              |               |              |                        |                   |                    |                         |
|               | 10'               |                  |              |               |              |                        |                   |                    |                         |
| 20"           | 4'                | 19 5/8"          | 18 3/8"      | 13 5/8"       | 12 3/8"      | 10 1/2"                | 2 1/2"            | 1 1/2"             | 1 1/4"                  |
|               | 5'                |                  |              |               |              |                        |                   |                    |                         |
|               | 6'                |                  |              |               |              |                        |                   |                    |                         |
|               | 8'                |                  |              |               |              |                        |                   |                    |                         |
|               | 10'               |                  |              |               |              |                        |                   |                    |                         |
| 24"           | 4'                | 23 5/8"          | 22 3/8"      | 15 5/8"       | 14 3/8"      | 10 1/2"                | 2 1/2"            | 1 1/2"             | 1 1/4"                  |
|               | 5'                |                  |              |               |              |                        |                   |                    |                         |
|               | 6'                |                  |              |               |              |                        |                   |                    |                         |
|               | 8'                |                  |              |               |              |                        |                   |                    |                         |
|               | 10'               |                  |              |               |              |                        |                   |                    |                         |



† Dimensions (except width) also apply to recessed panel shafts.  
‡ Dimension shown is for standard shafts. On custom height columns the panels start 5 1/4" from the bottom.  
\* Actual shaft height is 1/2" less than shown.  
Custom sizes may be requested, up to 24" in height, and up to 48" width.

POLY-CLASSIC® CRAFTSMAN TAPERED CAP AND BASE STYLES



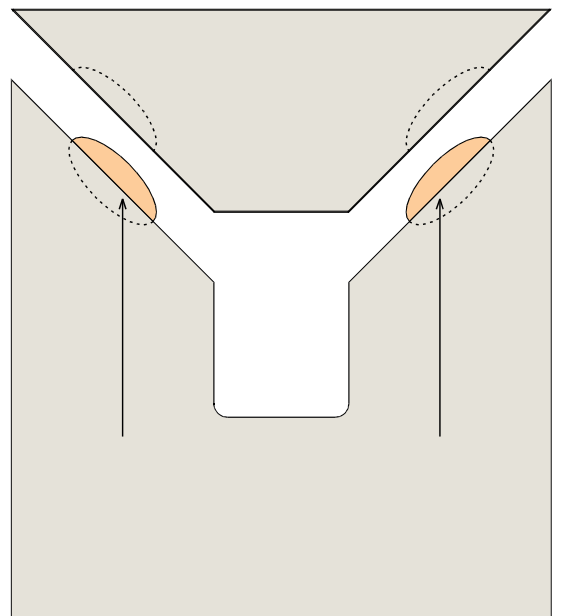
| Column nominal bottom width | Standard  |              |           |              | Crown     |              |           |              | Prairie   |              |           |              | Tuscan *  |            |           |            |
|-----------------------------|-----------|--------------|-----------|--------------|-----------|--------------|-----------|--------------|-----------|--------------|-----------|--------------|-----------|------------|-----------|------------|
|                             | Base      |              | Cap       |              | Base      |              | Cap       |              | Base      |              | Cap       |              | Base      |            | Cap **    |            |
|                             | Width (A) | Inside width | Width (B) | Inside width | Width (A) | Inside width | Width (B) | Inside width | Width (A) | Inside width | Width (B) | Inside width | Width (A) | Height (C) | Width (B) | Height (D) |
|                             |           |              |           |              |           |              |           |              |           |              |           |              |           |            |           |            |
| 10"                         | 13 5/8"   | 5 5/8"       | 9 5/8"    | 3 5/8"       | 15 5/8"   | 5 5/8"       | 11 5/8"   | 3 5/8"       | 13 5/8"   | 5 5/8"       | 9 5/8"    | 3 5/8"       | 13 1/2"   | 5 1/4"     | 9 1/2"    | 3 9/16"    |
| 12"                         | 15 5/8"   | 7 5/8"       | 11 5/8"   | 3 5/8"       | 17 5/8"   | 7 5/8"       | 13 5/8"   | 3 5/8"       | 15 5/8"   | 7 5/8"       | 11 5/8"   | 3 5/8"       | 17"       | 6"         | 13"       | 3 7/8"     |
| 16"                         | 19 5/8"   | 11 5/8"      | 15 5/8"   | 3 5/8"       | 21 5/8"   | 11 5/8"      | 17 5/8"   | 3 5/8"       | 19 5/8"   | 11 5/8"      | 15 5/8"   | 3 5/8"       | 20 5/8"   | 7 1/2"     | 17 3/4"   | 5"         |
| 20"                         | 23 5/8"   | 13 5/8"      | 17 5/8"   | 3 5/8"       | 25 5/8"   | 13 5/8"      | 19 5/8"   | 3 5/8"       | 23 5/8"   | 13 5/8"      | 17 5/8"   | 3 5/8"       | 24 5/8"   | 7 1/2"     | 20 1/4"   | 5"         |
| 24"                         | 27 5/8"   | 15 5/8"      | 19 5/8"   | 3 5/8"       | 29 5/8"   | 15 5/8"      | 21 5/8"   | 3 5/8"       | 27 5/8"   | 15 5/8"      | 19 5/8"   | 3 5/8"       | 28 5/8"   | 7 1/2"     | 22 3/8"   | 5"         |

\* Tuscan cap/base have no platform—they wrap around the shaft. For inside widths, see the specifications for shaft inside widths.  
 \*\* Tuscan cap widths may vary depending on height of shaft. The pitch (side angles) change and may require adjustment of cap width.  
 Note: The total height of the parts (shown in the charts) do NOT add to the overall height of the column. The bottom and top plates do add 1" each (2" total) to the shaft height, allowing extra flexibility in installation.

The cap and base sets for tapered Craftsman Series columns consist of a platform and a molding. The platforms are factory cut in a "V" shape to allow easy installation around an existing load support. This "V" is re-assembled using the jointer biscuits (included), PVC cement or polyurethane glue, and nails or screws. (As with all exterior products, non-corrosive fasteners must be used, such as double hot-dipped galvanized screws or nails.) This same "V" cut construction is used for the top platform of Craftsman pedestals. Pedestals being used as newels may be ordered without the platform being "V" cut. In addition to the standard profile cap and base set, optional Crown, Prairie and Tuscan styles are available. These styles allow customers more freedom of choice when designing their columns, and may be mixed and matched as desired. Custom options may be possible as well, based on customer requirements. For columns of non-standard size, the widths of the cap and base will be adjusted accordingly. The heights however will remain the same.

The inside widths shown below refer to the cutout in the center of the platforms. In cases where the cap platform is open at the top, flashing must be used to prevent water and debris from getting inside the column.

Edge view of "V" cut - shows where the jointer biscuits install:



Plan view of "V" cut - shows jointer biscuit recessed into edge

## POLY-CLASSIC® CRAFTSMAN NON-TAPERED SQUARE

Non-tapered columns are available plain, fluted or with three paneled options: standard raised panel, "square corner" raised panel, and recessed panel. (Since all tooling used for routing the panels is done with round bits, there will always be some radius in the corners. The "square corner" style uses the smallest bit possible to minimize that radius - about 1/8".) Double panel configurations are available upon request, similar to the panels on Turncraft's Poly-Classic FRP square column shafts, or with custom spacing.

Shaft heights for standard columns will be 1/2" less than the nominal height (see diagram, dimension "A".) For ex-ample, a 5' high column will ship with a shaft that is 4'-11 1/2" tall. The cap will cover the gap when installed. (At least 1/4" gap is required at the top on all installations to compensate for product thermal expansion.)

Net widths of shafts will be 3/8" less than nominal. Custom widths and heights may be requested in any size up to 24' tall, and 48" wide. Cap and base trim and platforms will be adjusted as needed for the revised shaft width.

See the cap and base specifications page for available cap/base styles. Also available for the non-tapered shaft is an optional neck trim: molding applied as an astragal. This 1 1/8" high molding is installed in the field, and on plain shafts, can be placed at any location the design requires. For fluted or paneled columns, this should be installed 1" below the cap, and the flutes or panels would begin 1 1/2" below the neck trim. Any customer preferred alterations of that location would need to be indicated prior to manufacture. (This molding can also be ordered with the tapered columns, but will ship long, and the installer will need to cut the compound miter to make this fit correctly.)

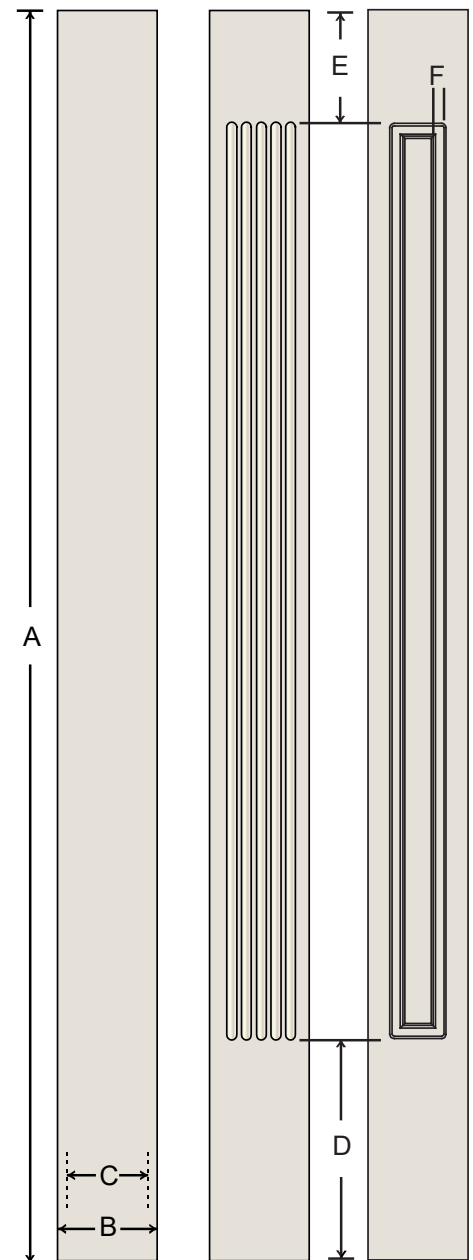
| Nominal column width | Standard sizes (A) |    |    |    |     |     |     |     |     |     |     |     |
|----------------------|--------------------|----|----|----|-----|-----|-----|-----|-----|-----|-----|-----|
|                      | 4'                 | 5' | 6' | 8' | 10' | 12' | 14' | 16' | 18' | 20' | 22' | 24' |
| 6"                   | √                  | √  | √  | √  | √   |     |     |     |     |     |     |     |
| 8"                   | √                  | √  | √  | √  | √   |     |     |     |     |     |     |     |
| 10"                  | √                  | √  | √  | √  | √   |     |     |     |     |     |     |     |
| 12"                  | √                  | √  | √  | √  | √   |     |     |     |     |     |     |     |
| 14"                  |                    |    |    | √  | √   | √   | √   |     |     |     |     |     |
| 16"                  |                    |    |    | √  | √   | √   | √   | √   |     |     |     |     |
| 18"                  |                    |    |    | √  | √   | √   | √   | √   | √   |     |     |     |
| 20"                  |                    |    |    | √  | √   | √   | √   | √   | √   | √   |     |     |
| 22"                  |                    |    |    | √  | √   | √   | √   | √   | √   | √   | √   |     |
| 24"                  |                    |    |    | √  | √   | √   | √   | √   | √   | √   | √   | √   |

Custom widths and heights may be requested in any size up to 24' tall and 48" wide. Cap and base trim and platforms will be adjusted as needed for the revised shaft width.

| Nominal width | Shaft dimensions |                     | Panel and flute spacing † |                   | Panels †           |                         | Flutes           |             |
|---------------|------------------|---------------------|---------------------------|-------------------|--------------------|-------------------------|------------------|-------------|
|               | Net bottom width | Inside bottom width | From bottom of shaft ‡    | From top of shaft | From side of shaft | Width of routed channel | Number of flutes | Flute width |
|               | (B)              | (C)                 | (D)                       | (E)               | (G)                | (F)                     |                  |             |
| 6"            | 5 5/8"           | 4 3/8"              | 16 3/4"                   | 8 1/2"            | 1 1/4"             | 3/4"                    | 20               | 1/2"        |
| 8"            | 7 5/8"           | 6 3/8"              | 16 3/4"                   | 8 1/2"            | 1 1/2"             | 1 1/4"                  | 20               | 3/4"        |
| 10"           | 9 5/8"           | 8 3/8"              | 16 3/4"                   | 8 1/2"            | 1 1/2"             | 1 1/4"                  | 20               | 1"          |
| 12"           | 11 5/8"          | 10 3/8"             | 16 3/4"                   | 8 1/2"            | 1 1/2"             | 1 1/4"                  | 20               | 1 1/4"      |
| 14"           | 13 5/8"          | 12 3/8"             | 16 3/4"                   | 9"                | 2"                 | 1 1/4"                  | 24               | 1 1/4"      |
| 16"           | 15 5/8"          | 14 3/8"             | 16 3/4"                   | 9 1/4"            | 2 1/4"             | 1 1/4"                  | 28               | 1 1/4"      |
| 18"           | 17 5/8"          | 16 3/8"             | 16 3/4"                   | 9 1/2"            | 2 1/2"             | 1 1/4"                  | 32               | 1 1/4"      |
| 20"           | 19 5/8"          | 18 3/8"             | 16 3/4"                   | 9 3/4"            | 2 3/4"             | 1 1/4"                  | 36               | 1 1/4"      |
| 22"           | 21 5/8"          | 20 3/8"             | 16 3/4"                   | 10"               | 3"                 | 1 1/4"                  | 40               | 1 1/4"      |
| 24"           | 23 5/8"          | 22 3/8"             | 16 3/4"                   | 10 1/4"           | 3 1/4"             | 1 1/4"                  | 44               | 1 1/4"      |

† Dimensions except width also apply to recessed panel shafts.

‡ Dimension shown is for standard shafts. On custom height columns the panels/flutes start 4" from the top of the base selected, and dimension (G) from the cap (or optional neck moulding).

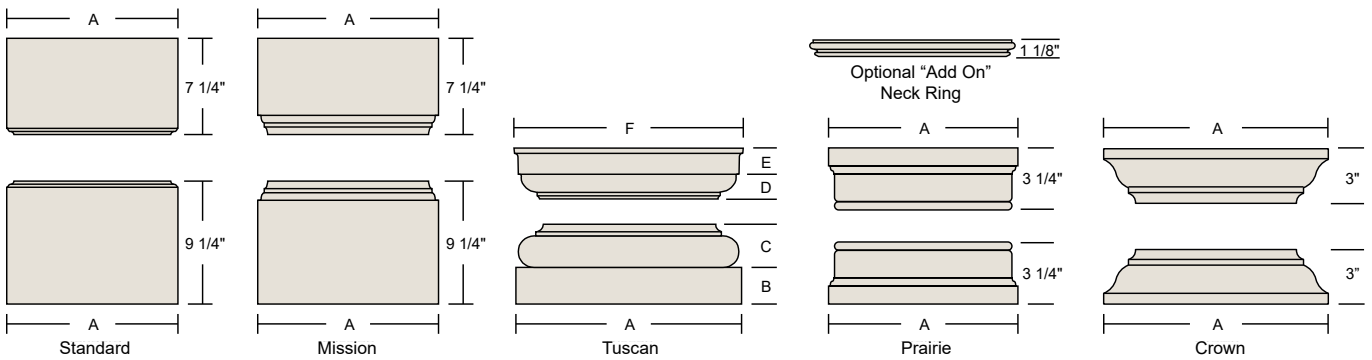


## POLY-CLASSIC® CRAFTSMAN NON-TAPERED CAP AND BASE STYLES

The cap and base sets for non-tapered Craftsman Series columns consist of a mitered wrap or a molding. The optional neck trim is also a molding, applied by the installer. These wraps and/or moldings do not have the E-Z Lock joint, due to the routed edges of the parts.

In addition to the standard cap and base profile, optional Mission, Tuscan, Prairie and Crown styles are available. These styles allow customers more freedom of choice when designing their columns, and may be mixed and matched as desired. Custom options may be possible as well, based on customer requirements. As with any column, if the column is open at the top, flashing must be used to prevent water and debris from getting inside the column.

For columns of non-standard size, the widths of the cap and base will adjusted accordingly. The heights however will remain the same. Since the non-tapered cap and base install around the shaft, the inside size of the cap will be the same as the outside net width of the column. When considering the space requirements to wrap the load support, the inside width of the column shaft is the specification which would be applicable.



| Column nominal width | Standard cap & base width<br>(A) | Mission cap & base width<br>(A) | Tuscan cap & base   |                      |                     |                      |                       |                      |                     |                     | Prairie cap & base width<br>(A) | Crown cap & base width<br>(A) |
|----------------------|----------------------------------|---------------------------------|---------------------|----------------------|---------------------|----------------------|-----------------------|----------------------|---------------------|---------------------|---------------------------------|-------------------------------|
|                      |                                  |                                 | Base                |                      |                     |                      | Cap                   |                      |                     |                     |                                 |                               |
|                      |                                  |                                 | Plinth width<br>(A) | Plinth height<br>(B) | Torus height<br>(C) | Base height<br>(B-C) | Echinus height<br>(D) | Abacus height<br>(E) | Cap height<br>(D-E) | Abacus width<br>(F) |                                 |                               |
| 6"                   | 6 7/8"                           | 7 5/8"                          | 8"                  | 1 1/2"               | 1 3/4"              | 3 1/4"               | 1"                    | 1 1/16"              | 2 1/32"             | 8 7/16"             | 8 1/8"                          | 9 5/8"                        |
| 8"                   | 8 7/8"                           | 9 5/8"                          | 11 3/8"             | 1 7/8"               | 2 3/8"              | 4 1/4"               | 1 3/4"                | 2 3/8"               | 2 11/16"            | 11 1/4"             | 10 1/8"                         | 11 5/8"                       |
| 10"                  | 10 7/8"                          | 11 5/8"                         | 13 1/2"             | 2 3/8"               | 2 7/8"              | 5 1/4"               | 1 13/16"              | 1 3/4"               | 3 9/16"             | 13 1/4"             | 12 1/8"                         | 13 5/8"                       |
| 12"                  | 12 7/8"                          | 13 5/8"                         | 17"                 | 2 3/4"               | 3 1/4"              | 6"                   | 1 7/8"                | 2"                   | 3 7/8"              | 17 1/4"             | 14 1/8"                         | 15 5/8"                       |
| 14"                  | 14 7/8"                          | 15 5/8"                         | 18 5/8"             | 3 3/8"               | 4"                  | 7 3/8"               | 2 5/8"                | 2 3/8"               | 5"                  | 19"                 | 16 1/8"                         | 17 5/8"                       |
| 16"                  | 16 7/8"                          | 17 5/8"                         | 20 5/8"             | 3 3/8"               | 4"                  | 7 3/8"               | 2 5/8"                | 2 3/8"               | 5"                  | 21"                 | 18 1/8"                         | 19 5/8"                       |
| 18"                  | 18 7/8"                          | 19 5/8"                         | 22 5/8"             | 3 3/8"               | 4"                  | 7 3/8"               | 2 5/8"                | 2 3/8"               | 5"                  | 23"                 | 20 1/8"                         | 21 5/8"                       |
| 20"                  | 20 7/8"                          | 21 5/8"                         | 24 5/8"             | 3 3/8"               | 4"                  | 7 3/8"               | 2 5/8"                | 2 3/8"               | 5"                  | 25"                 | 22 1/8"                         | 23 5/8"                       |
| 22"                  | 22 7/8"                          | 23 5/8"                         | 26 5/8"             | 3 3/8"               | 4"                  | 7 3/8"               | 2 5/8"                | 2 3/8"               | 5"                  | 27"                 | 24 1/8"                         | 25 5/8"                       |
| 24"                  | 24 7/8"                          | 25 5/8"                         | 28 5/8"             | 3 3/8"               | 4"                  | 7 3/8"               | 2 5/8"                | 2 3/8"               | 5"                  | 29"                 | 26 1/8"                         | 27 5/8"                       |

\*Since the cap/base wrap the column, we manufacture them based on inside widths. Due to fit tolerances and material thickness variances, net widths may be up to 1/8" larger than shown.

## POLY-CLASSIC® CRAFTSMAN PEDESTALS AND NEWELS

Non-tapered pedestals and newels are available plain or with these paneled options: standard raised panel, "square corner" raised panel, and recessed panel. (Since all tooling used for routing the panels is done with round bits, there will always be some radius in the corners. The "square corner" style uses the smallest bit possible to minimize that radius - about 1/8".) Fluting is available as a custom option.

Shaft heights for standard pedestals and newels (dimension A of diagram) are 1" less than nominal. The pedestals are all topped with a 1" platform, thus achieving the stated net height. This platform, like the platforms on the cap and base for tapered columns, is "V" cut to easily install around an existing load support. See the tapered cap and base specifications page for more information on the "V" cut. Top platforms for newels are not V-cut, providing a flat top. An optional pyramid cap is available (no top platform is included with newels when using the pyramid cap.)

Standard widths range from 8" to 30" in two-inch increments. Net widths of shafts are typically 3/8" less than nominal. Custom widths and heights may be requested in any size, typically from 2' to 4' tall and 48" wide. Custom plans, such as double-width for two columns, "L" shape for three columns on a corner, etc., are also possible.

Pedestals are typically about 1/3 the height of the overall column, and the shaft width is about the same as the width of the base on the column which it supports. Pedestals and newels are often incorporated with rail systems, and Turncraft is able to adjust sizes, panel locations and heights, etc. to accommodate the attachment of railing components.

See the Trim Kit specifications page for available styles, including the pyramid cap.

It should be noted that like all products in the Craftsman Series line, pedestals and newels need to be installed around a structural component. The installer may need to provide blocking at the bottom and top to prevent lateral movement.



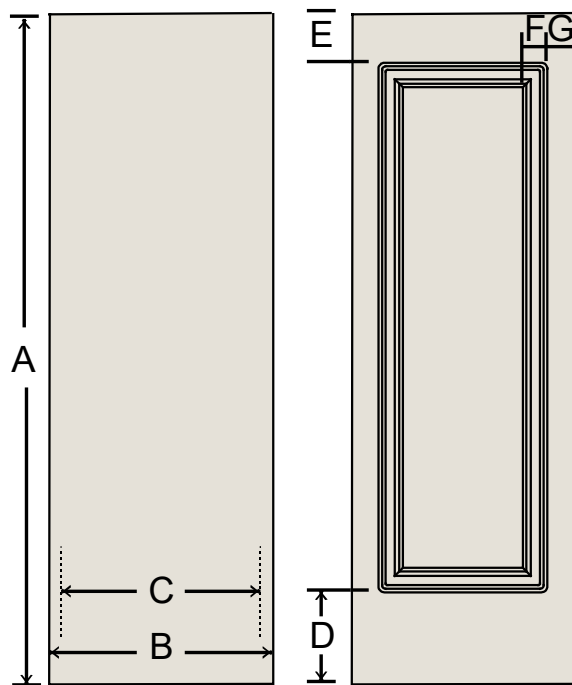
Standard Pedestal



Prairie Pedestal  
Recessed Panel



Prairie Pedestal  
Raised Panel



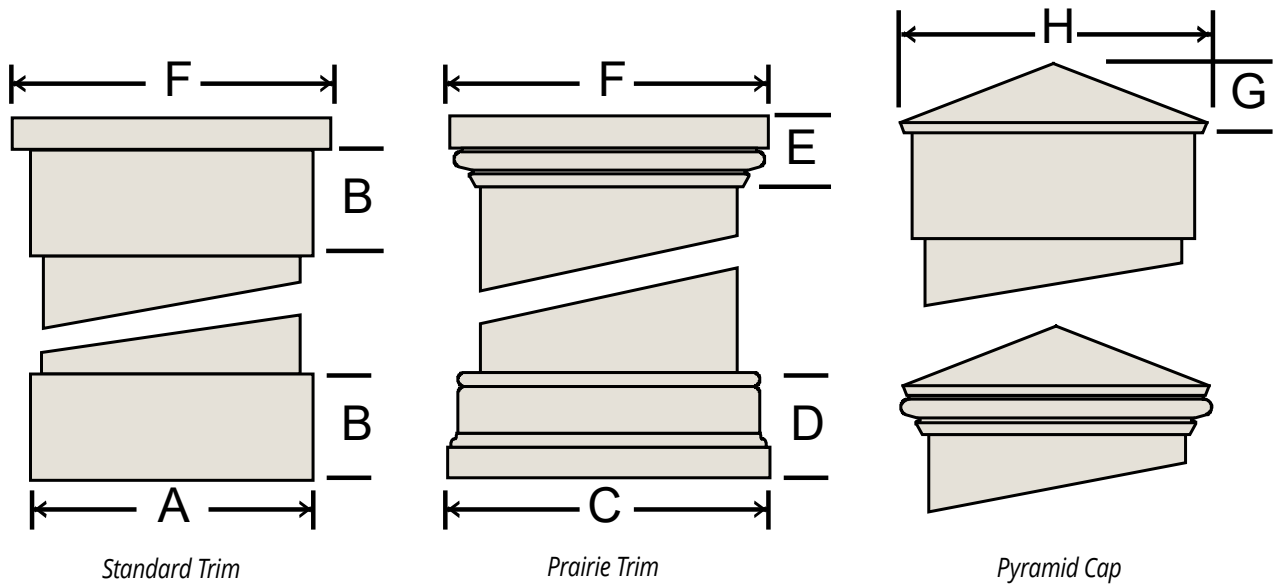
| Nominal width | Shaft widths |            | Panels (Standard trim)   |                       | Panels (Prairie trim)    |                       | Panels                      |                        | Available heights (A) |     |     |     |     |     |     |
|---------------|--------------|------------|--------------------------|-----------------------|--------------------------|-----------------------|-----------------------------|------------------------|-----------------------|-----|-----|-----|-----|-----|-----|
|               | Outside (B)  | Inside (C) | From bottom of shaft (D) | From top of shaft (E) | From bottom of shaft (D) | From top of shaft (E) | Width of router channel (F) | From side of shaft (G) | 32"                   | 36" | 40" | 44" | 48" | 54" | 60" |
|               |              |            |                          |                       |                          |                       |                             |                        | √                     | √   | √   | √   | √   | √   | √   |
| 6"            | 5 5/8"       | 4 3/8"     | 4 3/4"                   | 3 3/4"                | 4 3/4"                   | 2 5/8"                | 3/4"                        | 1 1/4"                 | √                     | √   | √   | √   | √   | √   | √   |
| 8"            | 7 5/8"       | 6 3/8"     | 4 3/4"                   | 3 3/4"                | 4 3/4"                   | 2 5/8"                | 1 1/4"                      | 1 1/2"                 | √                     | √   | √   | √   | √   | √   | √   |
| 10"           | 9 5/8"       | 8 3/8"     | 4 3/4"                   | 3 3/4"                | 4 3/4"                   | 2 5/8"                | 1 1/4"                      | 1 1/2"                 | √                     | √   | √   | √   | √   | √   | √   |
| 12"           | 11 5/8"      | 10 3/8"    | 4 3/4"                   | 3 3/4"                | 4 3/4"                   | 2 5/8"                | 1 1/4"                      | 1 1/2"                 | √                     | √   | √   | √   | √   | √   | √   |
| 14"           | 13 5/8"      | 12 3/8"    | 5 1/4"                   | 4 1/4"                | 5 1/4"                   | 3 1/8"                | 1 1/4"                      | 2"                     | √                     | √   | √   | √   | √   | √   | √   |
| 16"           | 15 5/8"      | 14 3/8"    | 5 1/2"                   | 4 1/2"                | 5 1/2"                   | 3 3/8"                | 1 1/4"                      | 2 1/4"                 | √                     | √   | √   | √   | √   | √   | √   |
| 18"           | 17 5/8"      | 16 3/8"    | 5 3/4"                   | 4 3/4"                | 5 3/4"                   | 3 5/8"                | 1 1/4"                      | 2 1/2"                 | √                     | √   | √   | √   | √   | √   | √   |
| 20"           | 19 5/8"      | 18 3/8"    | 6"                       | 5"                    | 6"                       | 3 7/8"                | 1 1/4"                      | 2 3/4"                 | √                     | √   | √   | √   | √   | √   | √   |
| 22"           | 21 5/8"      | 20 3/8"    | 6 1/4"                   | 5 1/4"                | 6 1/4"                   | 4 1/8"                | 1 1/4"                      | 3"                     | √                     | √   | √   | √   | √   | √   | √   |
| 24"           | 23 5/8"      | 22 3/8"    | 6 1/2"                   | 5 1/2"                | 6 1/2"                   | 4 3/8"                | 1 1/4"                      | 3 1/4"                 | √                     | √   | √   | √   | √   | √   | √   |
| 26"           | 25 5/8"      | 24 3/8"    | 6 3/4"                   | 5 3/4"                | 6 3/4"                   | 4 5/8"                | 1 1/4"                      | 3 1/2"                 | √                     | √   | √   | √   | √   | √   | √   |
| 28"           | 27 5/8"      | 26 3/8"    | 7"                       | 6"                    | 7"                       | 4 7/8"                | 1 1/4"                      | 3 3/4"                 | √                     | √   | √   | √   | √   | √   | √   |
| 30"           | 29 5/8"      | 28 3/8"    | 7 1/4"                   | 6 1/4"                | 7 1/4"                   | 5 1/8"                | 1 1/4"                      | 4"                     | √                     | √   | √   | √   | √   | √   | √   |

\* Typically, pedestals are 4" wider than the column it is supporting, or about the same width as the base of the column which it supports.

## POLY-CLASSIC® CRAFTSMAN PEDESTAL/NEWEL TRIM KIT STYLES

The Trim Kits for non-tapered Craftsman Series pedestals consist of a mitered wrap or a molding, with a 1" thick top platform. For pedestals, the top platform has the same "V" cut as the tapered cap/base platforms. The top platform is shipped without the "V" cut when used for a newel post. Another newel post option, the pyramid cap, may be substituted for the top platform.

For non-standard shaft sizes, the widths of the trim kits will adjusted accordingly. The heights however will remain the same. The height of the Standard Trim (B) may be changed at the customer's request. When considering the space requirements to wrap the load support, the inside width of the pedestal shaft is the specification which would be applicable. See the Pedestal / Newel specifications page for inside widths, shaft sizes, and styles available.



| Column nominal width | Standard Trim |            | Prairie Trim   |                 |                | Platform        | Pyramid Cap            |               |
|----------------------|---------------|------------|----------------|-----------------|----------------|-----------------|------------------------|---------------|
|                      | Width (A)     | Height (B) | Base width (C) | Base height (D) | Top height (E) | Top width † (F) | Cap height ± 1/16" (G) | Cap width (H) |
| 6"                   | 6 7/8"        | 3 1/4"     | 8 1/8"         | 3 1/4"          | 2 1/8"         | 7 5/8"          | 2 1/16"                | 7 7/8"        |
| 8"                   | 8 7/8"        | 3 1/4"     | 10 1/8"        | 3 1/4"          | 2 1/8"         | 9 5/8"          | 2 1/2"                 | 9 7/8"        |
| 10"                  | 10 7/8"       | 3 1/4"     | 12 1/8"        | 3 1/4"          | 2 1/8"         | 11 5/8"         | 2 7/8"                 | 11 7/8"       |
| 12"                  | 12 7/8"       | 3 1/4"     | 14 1/8"        | 3 1/4"          | 2 1/8"         | 13 5/8"         | 3 1/4"                 | 13 7/8"       |
| 14"                  | 14 7/8"       | 3 1/4"     | 16 1/8"        | 3 1/4"          | 2 1/8"         | 15 5/8"         | 3 5/8"                 | 15 7/8"       |
| 16"                  | 16 7/8"       | 3 1/4"     | 18 1/8"        | 3 1/4"          | 2 1/8"         | 17 3/8"         | 4"                     | 17 7/8"       |
| 18"                  | 18 7/8"       | 3 1/4"     | 20 1/8"        | 3 1/4"          | 2 1/8"         | 19 5/8"         | 4 3/8"                 | 19 7/8"       |
| 20"                  | 20 7/8"       | 3 1/4"     | 22 1/8"        | 3 1/4"          | 2 1/8"         | 21 5/8"         | 4 13/16"               | 21 7/8"       |
| 22"                  | 22 7/8"       | 3 1/4"     | 24 1/8"        | 3 1/4"          | 2 1/8"         | 23 5/8"         | 5 3/16"                | 23 7/8"       |
| 24"                  | 24 7/8"       | 3 1/4"     | 26 1/8"        | 3 1/4"          | 2 1/8"         | 25 5/8"         | 5 9/16"                | 25 7/8"       |
| 26"                  | 26 7/8"       | 3 1/4"     | 28 1/8"        | 3 1/4"          | 2 1/8"         | 27 5/8"         | 6 5/16"                | 27 7/8"       |
| 28"                  | 28 7/8"       | 3 1/4"     | 30 1/8"        | 3 1/4"          | 2 1/8"         | 29 5/8"         | 6 3/8"                 | 29 7/8"       |
| 30"                  | 30 7/8"       | 3 1/4"     | 32 1/8"        | 3 1/4"          | 2 1/8"         | 31 5/8"         | 6 3/4"                 | 31 7/8"       |

† Platform widths apply to pedestals and newels, unless the newel is using the pyramid cap.



## POLY-CLASSIC® CRAFTSMAN ORNAMENTAL CAPITALS FOR NON-TAPERED

Designed with crisp, true architectural detail, Ornamental Capitals artfully capture natural themes and images. Capitals for square Non-tapered Poly-Classic® Craftsman columns are crafted from poly/resin, and will ship split in half (to reassemble around the load support). Each style is proportionally scaled for the width of the shaft. The Empire with Necking, Greek

Erectheum with Necking, Modern Composite, Roman Corinthian, Roman Doric Ornamental, and Temple of Winds capitals will fit more accurately when the optional neck moulding is included. Since the shafts will be manufactured to be correct with the selected capital, there is no need to worry about a height adjustment value with PVC columns. Larger sizes may be available.



Empire



Empire with Necking



Greek Angular Ionic



Greek Erectheum



Greek Erectheum with Necking



Modern Composite



Roman Corinthian



Roman Doric Ornamental



Roman Ionic



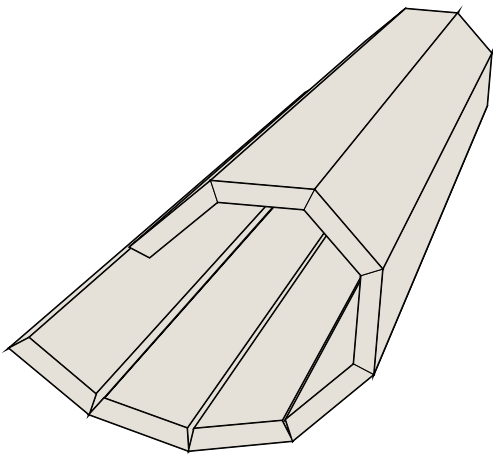
Scamozzi



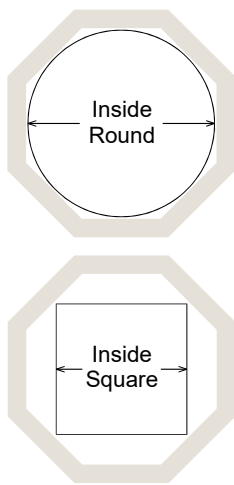
Temple of Winds

| Shaft nominal bottom diameter | Empire         |              |              | Empire with necking |              |              | Greek Angular Ionic |              |              | Greek Erectheum |              |              | Greek Erectheum with necking |              |              | Modern Composite |              |              |
|-------------------------------|----------------|--------------|--------------|---------------------|--------------|--------------|---------------------|--------------|--------------|-----------------|--------------|--------------|------------------------------|--------------|--------------|------------------|--------------|--------------|
|                               | Capital height | Abacus width | Scroll width | Capital height      | Abacus width | Scroll width | Capital height      | Abacus width | Scroll width | Capital height  | Abacus width | Scroll width | Capital height               | Abacus width | Scroll width | Capital height   | Abacus width | Scroll width |
| 6"                            | 3 3/4"         | 10"          | 9"           | 7 3/4"              | 10"          | 9"           | n/a                 |              |              | 3 3/4"          | 7 3/4"       | 11 3/4"      | 5 3/4"                       | 7 3/4"       | 11 3/4"      | 8 1/2"           | 10 3/4"      | n/a          |
| 8"                            | 5 1/4"         | 13 1/2"      | 22 1/4"      | 10"                 | 13 1/2"      | 12 1/4"      | 5 1/2"              | 14 1/4"      | 13 3/4"      | 5 1/4"          | 10 1/2"      | 15"          | 7 1/2"                       | 10 1/2"      | 15"          | 11 1/2"          | 16 1/2"      | n/a          |
| 10"                           | 6 1/4"         | 18"          | 17"          | 11"                 | 18"          | 17"          | 6"                  | 17 1/4"      | 17"          | 6 1/4"          | 14 1/2"      | 21"          | 9 1/2"                       | 14 1/2"      | 21"          | 14 1/2"          | 19"          | n/a          |
| 12"                           | 7 1/4"         | 20 1/4"      | 19 1/2"      | 14 1/2"             | 20 1/2"      | 19 1/2"      | 7 1/4"              | 20 3/4"      | 19 1/4"      | 6 3/4"          | 15"          | 20 1/2"      | 11 1/4"                      | 15"          | 21"          | 17"              | 20"          | n/a          |
| 14"                           | 8 3/4"         | 23"          | 19 1/2"      | 17"                 | 23"          | 19 1/2"      | 8 3/8"              | 20 1/2"      | 19 1/2"      | 9"              | 17 1/2"      | 26"          | 13 1/2"                      | 17 1/2"      | 26"          | n/a              |              |              |
| 16"                           | 10"            | 32"          | 26 1/4"      | n/a                 |              |              | 9 3/4"              | 24 1/4"      | 19 3/4"      | 10"             | 22 1/2"      | 29"          | 15"                          | 22 1/2"      | 29"          | 22 1/2"          | 25"          | n/a          |
| 18"                           | 11 1/4"        | 34"          | 28"          | n/a                 |              |              | n/a                 |              |              | 11"             | 26"          | 36"          | 17"                          | 26"          | 36"          | n/a              |              |              |
| 20"                           | 12 3/4"        | 35 1/2"      | 35"          | 19"                 | 35 1/2"      | 35"          | 12 3/4"             | 35"          | 34 1/2"      | 13"             | 30 1/2"      | 43"          | 19"                          | 30 1/2"      | 43"          | n/a              |              |              |

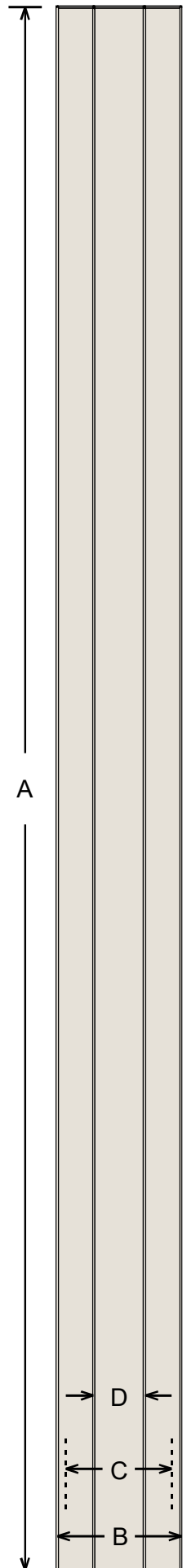
| Shaft nominal bottom diameter | Roman Corinthian |              |              | Roman Doric Ornamental |              |              | Roman Ionic    |              |              | Scamozzi       |              |              | Temple of Winds |              |              |
|-------------------------------|------------------|--------------|--------------|------------------------|--------------|--------------|----------------|--------------|--------------|----------------|--------------|--------------|-----------------|--------------|--------------|
|                               | Capital height   | Abacus width | Scroll width | Capital height         | Abacus width | Scroll width | Capital height | Abacus width | Scroll width | Capital height | Abacus width | Scroll width | Capital height  | Abacus width | Scroll width |
| 6"                            | 8 1/2"           | 12"          | n/a          | 4 1/2"                 | 10 1/2"      | n/a          | 3"             | 8 1/4"       | 10 1/2"      | 2 7/8"         | 10"          | 8"           | 7 1/2"          | 10 1/2"      | n/a          |
| 8"                            | 12"              | 15"          | n/a          | 6"                     | 14 1/4"      | n/a          | 3 5/8"         | 10 1/2"      | 13 1/2"      | 3 1/2"         | 11"          | 9 3/8"       | 10"             | 13 7/8"      | n/a          |
| 10"                           | 14 1/2"          | 18 1/2"      | n/a          | 7"                     | 16 1/4"      | n/a          | 4 1/2"         | 12 1/2"      | 16 1/2"      | 4 7/8"         | 16 3/4"      | 14"          | 11 5/8"         | 16 7/8"      | n/a          |
| 12"                           | 17"              | 22"          | n/a          | 9"                     | 21"          | n/a          | 5 1/2"         | 17 1/2"      | 23"          | 5 1/2"         | 19"          | 16 3/4"      | 16"             | 19"          | n/a          |
| 14"                           | 20"              | 27"          | n/a          | 10 1/2"                | 24"          | n/a          | n/a            |              |              | 6 1/4"         | 22 1/4"      | 18 1/2"      | 16"             | 23"          | n/a          |
| 16"                           | 23"              | 33 1/2"      | n/a          | 12 1/2"                | 28"          | n/a          | 6 1/2"         | 20"          | 24 1/4"      | 7 1/2"         | 25"          | 20 1/4"      | 18 1/8"         | 26 3/4"      | n/a          |
| 18"                           | 25 1/2"          | 39"          | n/a          | n/a                    |              |              | 8 3/4"         | 25"          | 31 3/4"      | 8 3/4"         | 26"          | 21 1/2"      | 21 1/2"         | 28"          | n/a          |
| 20"                           | 28 1/2"          | 42"          | n/a          | n/a                    |              |              | 9"             | 25 1/4"      | 33"          | 10 1/4"        | 34 1/4"      | 29 1/2"      | 23 1/4"         | 34 1/2"      | n/a          |



The Turncraft Craftsman octagon column is made out of a single sheet of PVC, using a "V" shape cutter where the sides join, but not cutting all the way through. This makes a folding joint instead of separate sides that are mitered and glued together. This one piece manufacturing method for octagon columns provide an easy "wrap" installation, with only one seam to finish. Column widths are measured through opposite sides (not diagonally corner-to-corner). Standard widths are 8" and 10", and special orders are available up to 14" wide. Heights are available up to 24", the maximum length of our PVC stock.

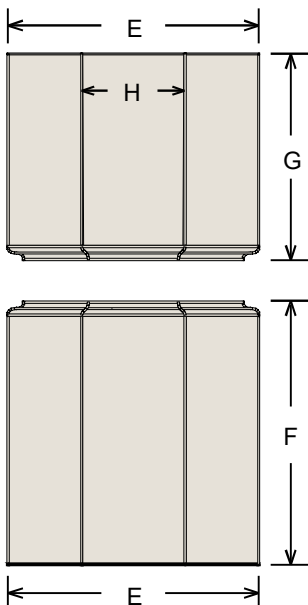


| Column Size | Standard heights (A) | Net width   |            | Space inside |        | Face width (D) |
|-------------|----------------------|-------------|------------|--------------|--------|----------------|
|             |                      | Outside (B) | Inside (C) | Round        | Square |                |
|             |                      |             |            |              |        |                |
| 8"          | 6'                   | 7 5/8"      | 6 5/8"     | 6 1/4"       | 4 3/8" | 3 5/32"        |
|             | 8'                   |             |            |              |        |                |
|             | 10'                  |             |            |              |        |                |
| 10"         | 6'                   | 9 5/8"      | 8 5/8"     | 8 1/4"       | 5 3/4" | 4"             |
|             | 8'                   |             |            |              |        |                |
|             | 10'                  |             |            |              |        |                |
| 12"         | 8'                   | 11 5/8"     | 10 5/8"    | 10 1/4"      | 7 1/8" | 4 13/16"       |
|             | 10'                  |             |            |              |        |                |
|             | 12'                  |             |            |              |        |                |
| 14"         | 8'                   | 13 5/8"     | 12 5/8"    | 12 1/4"      | 8 1/2" | 5 21/32"       |
|             | 10'                  |             |            |              |        |                |
|             | 12'                  |             |            |              |        |                |



### Octagon Cap and Base

Like the octagon column shafts, the cap and base components are assembled as a wrap.



| Cap and Base Specifications |               |                 |                |                |
|-----------------------------|---------------|-----------------|----------------|----------------|
| Column size                 | Net width (A) | Base height (B) | Cap height (C) | Face width (D) |
| 8"                          | 8 7/8"        | 9 1/4"          | 7 1/4"         | 3 11/16"       |
| 10"                         | 10 7/8"       | 9 1/4"          | 7 1/4"         | 4 1/2"         |
| 12"                         | 12 7/8"       | 9 1/4"          | 7 1/4"         | 5 11/32"       |
| 14"                         | 14 7/8"       | 9 1/4"          | 7 1/4"         | 6 5/32"        |