

# Turncraft Poly-Classic® *DuraGlass™ Columns*

## Non-Tapered Square Cap and Base Specifications

### TUSCAN TIMESAVER CAP/BASE FOR SQUARE NON-TAPERED COLUMNS

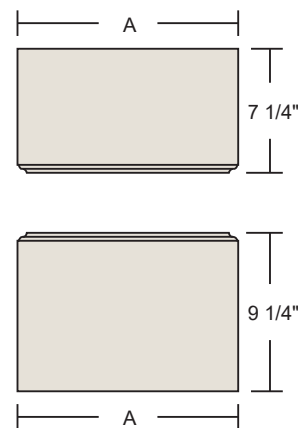
Column width	Tuscan Base					Tuscan Cap						Material
	Plinth		Torus		Total height	Astragal		Echinus	Abacus		Total height	
	(A)	(B)	(C)	(D)	(B-D)	Height	Neck *	(E)	(F)	(G)	(E-F)	
8"	10-9/16"	1-3/4"	1-5/8"	1/2"	3-7/8"	1-1/2"	1-3/4"	1-5/16"	1-3/8"	10-11/16"	2-11/16"	ABS
10"	13-1/8"	1-11/16"	1-5/8"	3/8"	3-11/16"	1-1/2"	1-1/2"	1-3/8"	1-7/16"	12-1/2"	2-13/16"	Fiberglass

### TUSCAN CAP/BASE FOR SQUARE NON-TAPERED COLUMNS

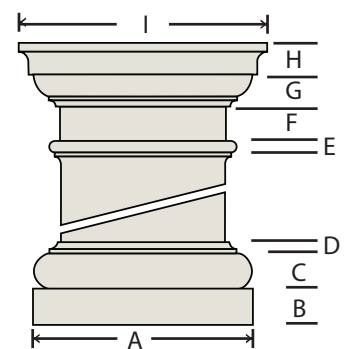
Column width	Tuscan Base					Tuscan Cap				Material
	Plinth		Torus		Total height	Echinus	Abacus		Total height	
	(A)	(B)	(C)	(D)	(B-D)	(E)	(F)	(G)	(E-F)	
8"	11-3/8"	1-7/8"	1-3/4"	5/8"	4-1/4"	1-5/16"	1 3/8"	11-1/4"	2-3/4"	Polyurethane
10"	13-1/2"	2-3/8"	2-1/8"	3/4"	5-1/4"	1-13/16"	1 3/4"	13-1/4"	3-9/16"	Polyurethane
12"	17"	2-3/4"	2-3/8"	7/8"	6"	1-7/8"	2"	17-1/4"	3-7/8"	Polyurethane
14"	18-3/4"	3-3/8"	3"	1-1/16"	7-7/16"	2-1/2"	2-1/2"	18-11/16"	5"	Foam
16"	20-1/8"	2-3/8"	3"	1"	6-3/8"	2-1/2"	2-3/8"	22-1/8"	5-7/8"	Foam
18"	22-1/8"	2-3/8"	3"	1"	6-3/8"	2-1/2"	2-3/8"	24-1/8"	5-7/8"	Foam
20"	24-1/8"	2-3/8"	3"	1"	6-3/8"	2-1/2"	2-3/8"	26-1/8"	5-7/8"	Foam
22"	26-1/8"	2-3/8"	3"	1"	6-3/8"	2-1/2"	2-3/8"	28-1/8"	5-7/8"	Foam
24"	28-1/8"	2-3/8"	3"	1"	6-3/8"	2-1/2"	2-3/8"	30-1/8"	5-7/8"	Foam

### CRAFTSMAN CAP/BASE FOR SQUARE NON-TAPERED COLUMNS

Column width	Craftsman cap & base width	Craftsman cap height	Craftsman base height	Material
	(A)			
8"	8-7/8"	7-1/4"	9-1/4"	PVC
10"	10-7/8"	7-1/4"	9-1/4"	PVC
12"	12-7/8"	7-1/4"	9-1/4"	PVC
14"	14-7/8"	7-1/4"	9-1/4"	PVC
16"	16-7/8"	7-1/4"	9-1/4"	PVC
18"	18-7/8"	7-1/4"	9-1/4"	PVC
20"	20-7/8"	7-1/4"	9-1/4"	PVC
22"	22-7/8"	7-1/4"	9-1/4"	PVC
24"	24-7/8"	7-1/4"	9-1/4"	PVC



Craftsman



Tuscan