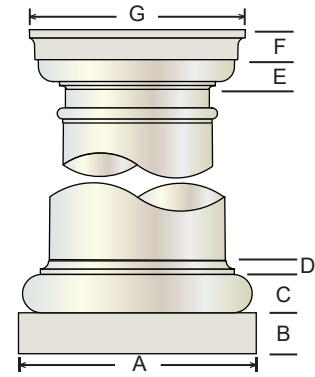


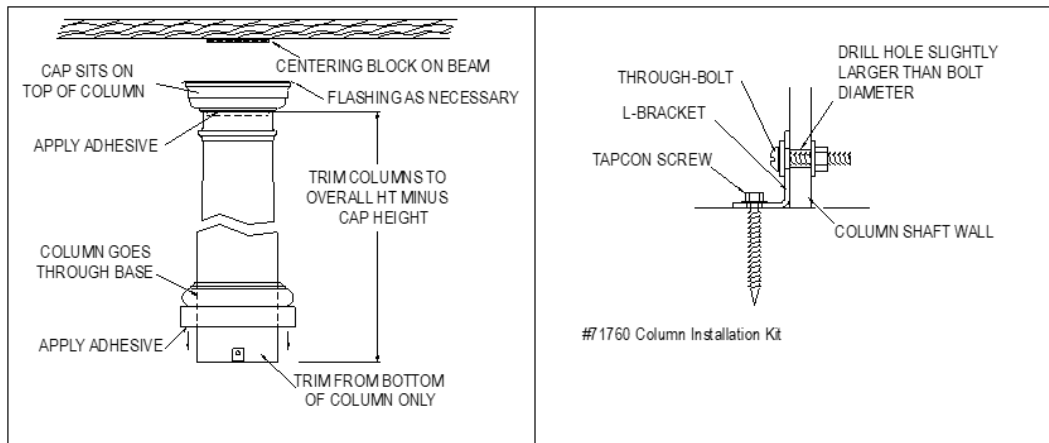
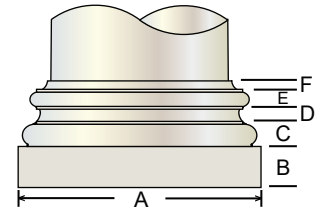
TUSCAN CAPS AND BASES

Column diameter	Tuscan Base				Total height (B-D)	Tuscan Cap				Total height (E-F)
	Plinth		Torus			Echinus (E)	Abacus		Total height (E-F)	
	(A)	(B)	(C)	(D)			(F)	(G)		
6"	8"	1 1/2"	1 1/4"	1/2"	3 1/4"	1"	1 1/16"	7 1/2"	2 1/16"	
8"	10 7/8"	1 7/8"	1 3/4"	5/8"	4 1/4"	1 1/16"	1 3/8"	9 7/8"	2 11/16"	
10"	13 1/2"	2 3/8"	2 1/8"	3/4"	5 1/4"	1 13/16"	1 3/4"	12 1/8"	3 9/16"	
12"	16 1/4"	2 3/4"	2 3/8"	7/8"	6"	1 7/8"	2"	14 5/8"	3 7/8"	
14"	18 5/8"	3 5/16"	3"	1"	7 5/16"	2 1/2"	2 5/16"	17"	4 15/16"	
16"	21 5/16"	3 7/8"	3 3/8"	1 1/8"	8 5/16"	2 3/4"	2 11/16"	19 1/8"	5 7/16"	
18"	24"	4 3/16"	4"	1 3/8"	9 9/16"	3"	2 15/16"	21 5/16"	5 15/16"	
20"	27"	4 3/4"	4 1/16"	1 3/4"	10 9/16"	3 1/8"	3 7/16"	24 1/4"	6 9/16"	
24"	32 1/2"	5 3/4"	5 1/4"	2 1/4"	13 1/4"	3 5/16"	4 1/8"	28 3/4"	7 1/16"	



OPTIONAL ATTIC BASE

Column diameter	Plinth		Torus				Total height (B-F)
	(A)	(B)	(C)	(D)	(E)	(F)	
6"	8"	1"	3/4"	3/4"	1/2"	1/2"	3 1/2"
8"	10 7/8"	1 7/8"	1 1/8"	7/8"	3/4"	1/2"	5 1/8"
10"	13 1/2"	2 3/8"	1 1/4"	1 1/8"	7/8"	5/8"	6 1/4"
12"	16 1/8"	2 3/4"	1 1/2"	1 3/8"	1"	9/8"	7 1/4"
14"	18 1/2"	3 5/16"	1 3/4"	1 5/8"	1 1/4"	11/16"	8 21/32"
16"	21 3/16"	3 3/4"	2 1/8"	1 7/8"	1 1/2"	13/16"	10 1/8"
18"	23 15/16"	4 1/4"	2 5/16"	2 1/8"	1 7/16"	1 1/8"	11 1/4"
20"	27 1/16"	4 3/4"	2 11/16"	2 3/8"	1 3/4"	1 7/16"	13"
24"	32 1/2"	5 3/4"	3 5/16"	2 13/16"	2 1/8"	1 3/4"	15 3/4"



QUICK-FIT CAPITALS FOR ROUND TAPERED DURASTONE COLUMNS

Our Poly-Classic® DuraStone™ Quick-Fit Capitals are designed for simple installation. These capitals will slide right over the top of the shaft and will sit on the neckring.



Greek Erectheum



Roman Ionic



Roman Corinthian



Scamozzi

Shaft nominal bottom diameter	Greek Erectheum				Roman Ionic				Shaft nominal bottom diameter	Roman Corinthian				Scamozzi			
	Capital height	Abacus width	Scroll width	Height adjust	Capital height	Abacus width	Scroll width	Height adjust		Capital height	Abacus width	Scroll width	Height adjust	Capital height	Abacus width	Scroll width	Height adjust
6"	3 1/4"	6 9/16"	8 3/8"	+3/8"	2 3/16"	6"	8"	-1 1/16"	6"	8 1/16"	11"	n/a	+5 1/16"	2 7/16"	8 5/8"	8 1/2"	-7/16"
8"	11 5/16"	14 5/16"	n/a	+7 1/16"	3"	11"	10 13/16"	-1 1/8"	8"	11 5/16"	14 5/16"	n/a	+7 1/16"	3"	11"	10 13/16"	-1 1/8"
10"	14 3/16"	18 1/8"	n/a	+9 1/16"	4 1/8"	14 1/2"	14 3/8"	-7/8"	10"	14 3/16"	18 1/8"	n/a	+9 1/16"	4 1/8"	14 1/2"	14 3/8"	-7/8"
12"	17"	21 3/4"	n/a	+12 1/4"	4 13/16"	17"	16 3/8"	+1/16"	12"	17"	21 3/4"	n/a	+12 1/4"	4 13/16"	17"	16 3/8"	+1/16"

Height Adjust is based on trimming the shaft at the architecturally correct location.