



POLY-CLASSIC®

DGL *DuraGlass™ Columns*

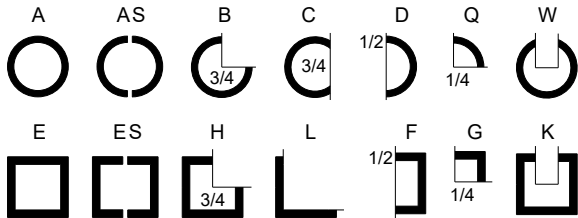
- EASY TO CUT AND INSTALL
- DECAY RESISTANT
- LOW MAINTENANCE
- LIGHTWEIGHT COLUMNS
- NOW AVAILABLE IN 30" ROUND
- IMPACT RESISTANT
- LIMITED LIFETIME WARRANTY
- READY TO PRIME AND PAINT

LIGHTWEIGHT FIBERGLASS COLUMNS EASILY HANDLE THE LOAD

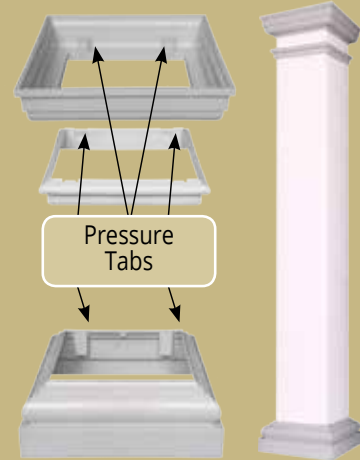
Sometimes the most beautiful solutions are the most simple. Poly-Classic® DuraGlass™ square columns from Turncraft offer the classic beauty that homeowners and commercial property owners appreciate. Made from lightweight fiberglass, these columns are easy to cut, easy to install, and strong enough to carry heavy loads. Like other Poly-Classic® columns, DuraGlass™ columns are decay resistant and require little maintenance.

PLAN TYPES

Poly-Classic® Duraglass™ Columns are available in the following plan types. Please specify when you order. (Fractional components shown are typical. Customer may specify actual returns, wall thicknesses, etc.)



TimeSaver cap and base made exclusively for our 8" & 10" DuraGlass™ square columns. Our TimeSaver cap and base offers the easiest and quickest installation in the industry.



Customers claim: "The TimeSaver cap and base has cut our installation time in half."



DuraGlass™
Tuscan
Non-tapered
Square

DuraGlass™
Tuscan
Non-Tapered
Square with Neck

DuraGlass™
Bungalow
Tapered
Square

DuraGlass™
Tuscan
Tapered
30" Round

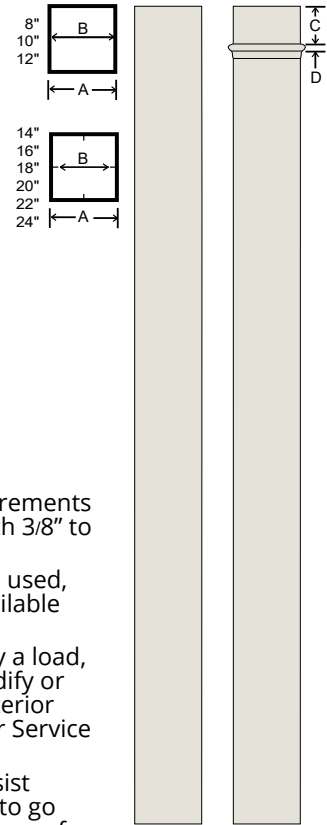
DuraGlass™
Tuscan
Non-Tapered
30" Round

DURAGLASS™ NON-TAPERED SQUARE

Column Nominal Width †	Shaft Bottom †		Shaft Top		Space Available Inside Shaft		Load Capacity (lbs.)
	Outside Width	Inside Width	Shaft Neck ‡	Astragal Ring	For Round Support	For Square Support	
	(A)	(B)	(C)	(D)			
6"	6"	5 1/8"	3 3/8"	3/4"	4 7/8"	4 7/8"	5,000
8"	7 5/8"	7 1/8"	4 1/2"	3/4"	6 3/4"	6 3/4"	5,000
10"	9 5/8"	9 1/8"	5"	3/4"	8 3/4"	8 3/4"	6,000
12"	11 5/8"	11 1/8"	5 1/2"	3/4"	10 3/4"	10 3/4"	7,000
14"	14"	11 3/4"	Adjustable	1 7/8"	11 1/2"	11 1/2"	10,000
16"	16"	13 3/4"	Adjustable	1 7/8"	13 1/2"	13 1/2"	10,000
18"	18"	15 3/4"	Adjustable	1 7/8"	15 1/2"	15 1/2"	10,000
20"	20"	15 3/4"	Adjustable	1 7/8"	15 1/2"	15 1/2"	10,000
22"	22"	17 3/4"	Adjustable	1 7/8"	17 1/2"	17 1/2"	10,000
24"	24"	19 3/4"	Adjustable	1 7/8"	19 1/2"	19 1/2"	10,000

† Actual shaft net widths may vary from nominal size shown.

‡ Necking is shipped loose for pultruded columns. Spacing shown is typical, but may be adjusted by the installer.



Available Heights											
Widths	6'	8'	9'	10'	12'	14'	16'	18'	20'	22'	24'
6"	✓	✓		✓							
8"	✓	✓	✓	✓	✓						
10"	✓	✓	✓	✓	✓						
12"	✓	✓	✓	✓	✓						
14"		✓	✓	✓	✓	✓	✓	✓	✓	✓	✓
16"		✓	✓	✓	✓	✓	✓	✓	✓	✓	✓
18"		✓	✓	✓	✓	✓	✓	✓	✓	✓	✓
20"		✓	✓	✓	✓	✓	✓	✓	✓	✓	✓
22"		✓	✓	✓	✓	✓	✓	✓	✓	✓	✓
24"		✓	✓	✓	✓	✓	✓	✓	✓	✓	✓

The "Space Available Inside Shaft" measurements are calculated at the top inside width (with 3/8" to 3/4" tolerance), when using Tuscan caps.

When composite ornamental capitals are used, the neck sleeve will reduce the inside available space significantly.

If the column will not be required to carry a load, it may be possible for the installer to modify or remove the neck sleeve to allow more interior space. Please contact Turncraft Customer Service for more information.

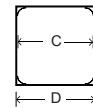
These measurements are provided to assist in determining the correct column width to go around a load bearing post or lally column, or for clearance for water downspouts, conduits, etc.

DURAGLASS™ TAPERED SQUARE

Column Nominal Width	Shaft Bottom		Shaft Top		Space Available Inside Shaft:		Load Capacity *
	Outside Width	Inside Width	Outside Width	Inside Width	For Round Support	For Square Support	
	(A)	(B)	(D)	(C)			
10"	9 5/8"	9"	5 5/8"	5"	4 1/2"	4 1/2"	10,000
12"	11 5/8"	11"	7 5/8"	7"	6 1/2"	6 1/2"	10,000
16"	15 5/8"	15"	11 5/8"	11"	10 1/2"	10 1/2"	10,000

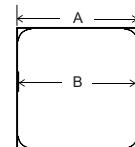
Available Heights				
Widths	5'	6'	8'	10'
10"	✓	✓	✓	✓
12"	✓	✓	✓	✓
16"	✓	✓	✓	✓

* Load capacities are reduced when loads are not centered.



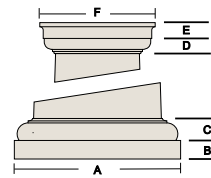
TUSCAN CAP AND BASE FOR TAPERED SQUARE

Column Diameter	Tuscan Base			Tuscan Cap				Material	
	Plinth		Torus	Total Height	Echinus	Abacus			Total Height
	A	B	C	B C	D	E	F		D E
10"	13 1/8"	1 11/16"	12"	3 11/16"	1 3/8"	1 7/16"	8 1/2"	2 13/16"	Fiberglass
12"	15 1/8"	1 11/16"	12"	3 11/16"	1 3/8"	1 7/16"	10 1/2"	2 13/16"	Fiberglass
16"	19 1/8"	1 11/16"	12"	3 11/16"	1 3/8"	1 7/16"	14 1/2"	2 13/16"	Fiberglass

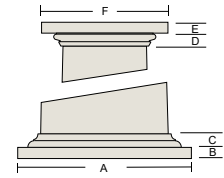


BUNGALOW CAP AND BASE FOR TAPERED SQUARE

Column Diameter	Bungalow Base			Bungalow Cap				Material	
	Plinth		Moulding	Total Height	Moulding	Platform	Total Height		
	A	B	C	B C	D	E	F		D E
10"	13 5/8"	1"	1 1/4"	2 1/4"	1 1/8"	1"	9 5/8"	2 1/8"	PVC
12"	15 5/8"	1"	1 1/4"	2 1/4"	1 1/8"	1"	11 5/8"	2 1/8"	PVC
16"	19 5/8"	1"	1 1/4"	2 1/4"	1 1/8"	1"	15 5/8"	2 1/8"	PVC



Tuscan



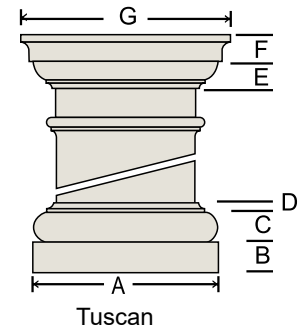
Bungalow

TUSCAN TIMESAVER CAP/BASE FOR SQUARE NON-TAPERED COLUMNS

Column Width	Tuscan Base					Tuscan Cap						Material
	Plinth		Torus		Total Height	Astragal		Echinus	Abacus		Total Height	
	(A)	(B)	(C)	(D)	(B D)	Height	Neck *	(E)	(F)	(G)	(E F)	
8"	10 9/16"	1 3/4"	1 5/8"	1/2"	3 7/8"	1 1/2"	1 3/4"	1 5/16"	1 3/8"	10 11/16"	2 11/16"	ABS
10"	13 1/8"	1 11/16"	1 5/8"	3/8"	3 11/16"	1 1/2"	1 1/2"	1 3/8"	1 7/16"	12 1/2"	2 13/16"	Fiberglass

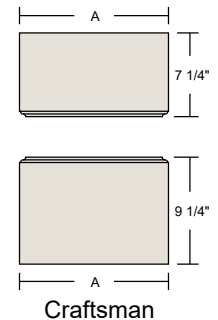
TUSCAN CAP/BASE FOR SQUARE NON-TAPERED COLUMNS

Column Width	Tuscan Base					Tuscan Cap				Material
	Plinth		Torus		Total Height	Echinus	Abacus		Total Height	
	(A)	(B)	(C)	(D)	(B D)	(E)	(F)	(G)	(E F)	
6"	8"	1 1/2"	1 1/4"	1/2"	3 1/4"	1"	1 1/8"	8 3/8"	2 1/8"	Polyurethane
8"	11 3/8"	1 7/8"	1 3/4"	5/8"	4 1/4"	1 5/16"	1 3/8"	11 1/4"	2 3/4"	Polyurethane
10"	13 1/2"	2 3/8"	2 1/8"	3/4"	5 1/4"	1 13/16"	1 3/4"	13 1/4"	3 9/16"	Polyurethane
12"	17"	2 3/4"	2 3/8"	7/8"	6"	1 7/8"	2"	17 1/4"	3 7/8"	Polyurethane
14"	18 3/4"	3 3/8"	3"	1 1/16"	7 7/16"	2 1/2"	2 1/2"	18 11/16"	5"	Foam
16"	20 1/8"	2 3/8"	3"	1"	6 3/8"	2 1/2"	2 3/8"	22 1/8"	5 7/8"	Foam
18"	22 1/8"	2 3/8"	3"	1"	6 3/8"	2 1/2"	2 3/8"	24 1/8"	5 7/8"	Foam
20"	24 1/8"	2 3/8"	3"	1"	6 3/8"	2 1/2"	2 3/8"	26 1/8"	5 7/8"	Foam
22"	26 1/8"	2 3/8"	3"	1"	6 3/8"	2 1/2"	2 3/8"	28 1/8"	5 7/8"	Foam
24"	28 1/8"	2 3/8"	3"	1"	6 3/8"	2 1/2"	2 3/8"	30 1/8"	5 7/8"	Foam



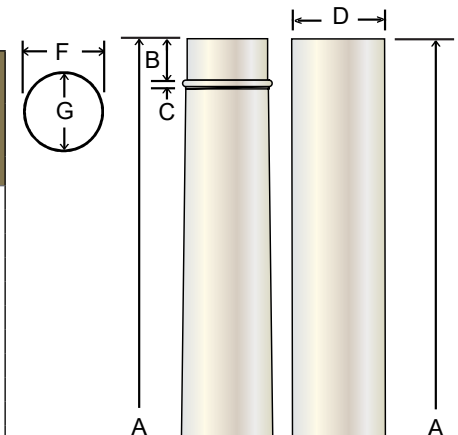
CRAFTSMAN CAP/BASE FOR SQUARE NON-TAPERED COLUMNS

Column Width	Craftsman Cap & Base Width (A)	Craftsman Cap Height	Craftsman Base Height	Material
6"	6 7/8"	7 1/4"	9 1/4"	PVC
8"	8 7/8"	7 1/4"	9 1/4"	PVC
10"	10 7/8"	7 1/4"	9 1/4"	PVC
12"	12 7/8"	7 1/4"	9 1/4"	PVC
14"	14 7/8"	7 1/4"	9 1/4"	PVC
16"	16 7/8"	7 1/4"	9 1/4"	PVC
18"	18 7/8"	7 1/4"	9 1/4"	PVC
20"	20 7/8"	7 1/4"	9 1/4"	PVC
22"	22 7/8"	7 1/4"	9 1/4"	PVC
24"	24 7/8"	7 1/4"	9 1/4"	PVC



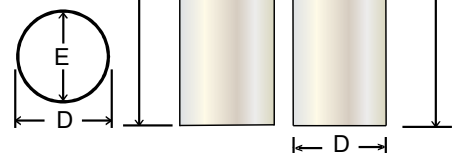
30" ROUND TAPERED RESIN-INFUSED COLUMNS

Column Nominal Diameter	Shaft Height	Shaft Neck		Shaft Bottom		Shaft Top		Space Available Inside Shaft		Load Capacity
		Neck Height	Astragal Ring	Outside Diameter	Inside Diameter	Outside Diameter	Inside Diameter	For Round Support	For Square Support	
		(A)	(B)	(C)	(D)	(E)	(F)	(G)		
30"	8'	13 5/8"	2 1/2"	30"	29"	24 1/2"	23 1/2"	23"	16 1/4"	25,000 lb.
	10'									
	12'									
	14'									
	16'									
	18'									
	20'									
	22'									
	24'									
	26'									
28'										
30'										



30" ROUND NON-TAPERED RESIN-INFUSED COLUMNS

Column Nominal Diameter	Shaft Height	Shaft Bottom		Shaft Top		Space Available Inside Shaft		Load Capacity
		Outside Diameter	Inside Diameter	Outside Diameter	Inside Diameter	For Round Support	For Square Support	
		(D)	(E)	(D)	(E)			
30"	8'	30"	29"	30"	29"	28 1/2"	20 1/8"	25,000 lb.
	10'							
	12'							
	14'							
	15'							



Refer to FRP section for Round tapered/non-tapered for available caps and bases. (pg 15-16)