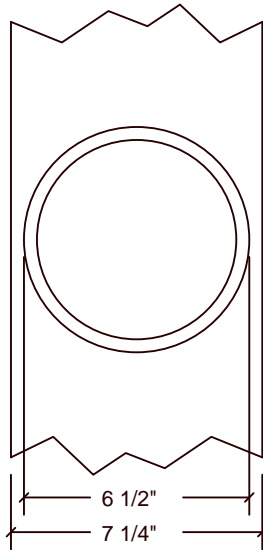


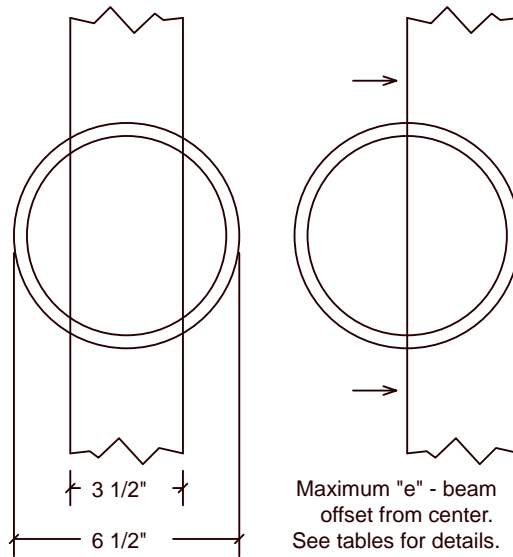
ADDENDUM: TABLE 2—ALLOWABLE LOADS POLY-CLASSIC COLUMNS*

Columns Type and Nominal Size (in)	Maximum Lenth (ft-in)	Allowable Load (lbf) Concentric	Eccentric Loadings	
			Maximum "e" (in)	Allowable Load (lbf)
16 - Round non-tapered	10 - 0	20000	4 ¹ / ₄	13200
18 - Round non-tapered	11 - 0	20000	4 ¹ / ₄	9040
20 - Round non-tapered	11 - 0	20000	4 ¹ / ₄	18960
24 - Round non-tapered	15 - 0	20000	4 ¹ / ₄	13200
14 x 14 Square	16 - 0	18000	4 ¹ / ₄	17320

Example of Concentric Loading
(8" tapered column, 8x beam):



Example of eccentric loading:
(8" tapered column, 4x beam):



Install columns with concentric loading to achieve maximum load bearing capacity. This means the overhead beam or surface must completely cover the top of the column shaft.

