



## Poly-Classic<sup>®</sup> Ornamental Capital Installation Instructions For Poly/Resin or FRP Capitals WITH Centering Neck Sleeve\*

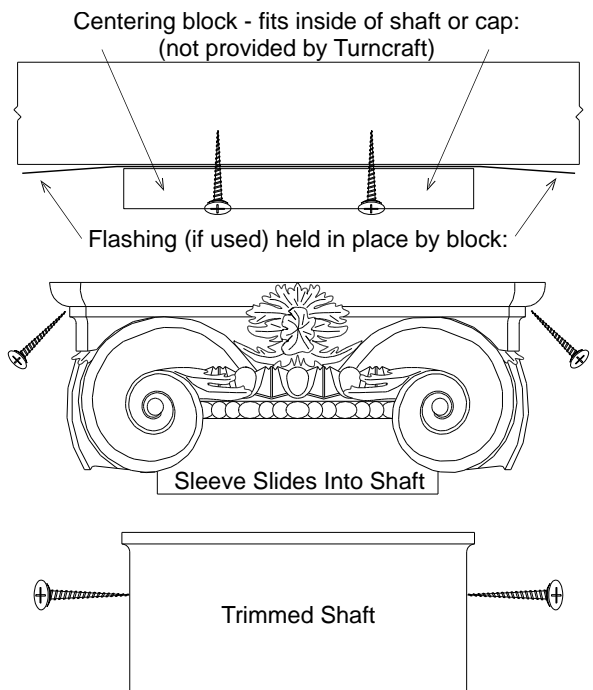
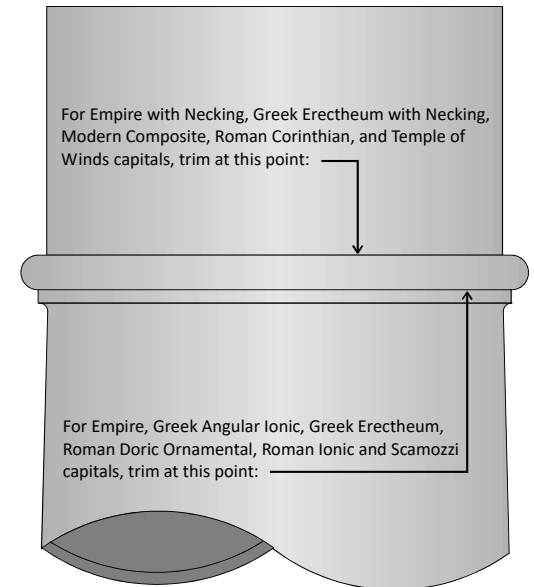
Ornamental capitals are made of FRP, a load-bearing poly/resin material, and have an integrated centering sleeve ("neck sleeve", "pin" or "plug") to connect the column shaft to the capital. When using ornamental capitals the top of the shaft **MUST** be cut off before installing the capital. (The factory may have trimmed the shaft before shipping.) For an architecturally correct installation, using Empire, Greek Angular Ionic, Greek Erectheum, Roman Doric Ornamental, Roman Ionic or Scamozzi capitals, the installer should trim to below the neck ring, leaving only the flat ring (fillet) directly below the neck ring. For Empire with Necking, Greek Erectheum with Necking, Modern Composite, Roman Corinthian and Temple of Winds capitals, the shaft should be trimmed flush at the top of the astragal molded in the shaft. See the trimming illustration at right.

Since the different capital styles have different heights, the overall maximum height of the finished column will most likely change. Please see the "Height Adjust" information in the Poly-Classic Ornamental Capitals specifications pages to determine the height difference when using ornamental capitals.

### Installation Steps (in addition to standard instructions):

- 1) All column installations should be flashed if they are placed in an area where water, debris, etc. could accumulate inside the shaft. Cut flashing approximately 1/2" larger than top of capital.
- 2) To help keep the top of the column in the correct place, you may want to cut a "centering block" to fit inside the top of the capital. Scraps of plywood or other materials are commonly used. Cut the block to fit loosely inside the top of the capital. Centering block can also be used to hold flashing (if used) in place. Attach block to beam/soffit with non-corrosive screws.
- 3) If necessary, use a circular saw with a carbide or abrasive blade to trim the top of the shaft accordingly (see top diagram at right).
- 4) Calculate the correct finish height. Measure, mark and trim the bottom of the shaft accordingly. Slide base over bottom of the shaft, then attach the installation brackets at the bottom of the shaft.
- 5) Set the capital on top of the column shaft. Pre-drill shaft and neck sleeve and countersink the column shaft where you want screws to attach the capital to the shaft. Remove cap, apply construction adhesive or caulking to the base of the cap and the neck sleeve, then re-insert into the top of the shaft, and attach with non-corrosive screws.
- 6) Apply construction adhesive or caulk as needed to the top of the cap.
- 7) If necessary, jack up the roof where the column is to be installed (approximately 1/4" is usually sufficient.) Raise the column into place, slipping the top over the centering block, then sliding the bottom in until the column is plumb. Lower roof onto column.
- 8) Pre-drill and counter-sink through the capital abacus (top) and attach to the ceiling/soffit with non-corrosive screws.
- 9) Attach column at base (see standard column installation instructions). Fold edges of flashing down over sides of capital. Fill all countersunk screw holes, seams, etc. with caulk. Sand, clean and finish according to standard instructions.

### Trimming shafts for use with Poly/Resin capitals:



\* Capitals for split columns should not have neck sleeves. See next page.



## Poly-Classic® Ornamental Capital Installation Instructions For Split Columns\*

Ornamental capitals (whole\*) are made of FRP, a load-bearing poly/resin material, and have an integrated centering sleeve ("neck sleeve", "pin" or "plug") to connect the column shaft to the capital. If columns are ordered split, the capital centering sleeve is removed by the factory. When using ornamental capitals the top of the shaft **MUST** be cut off before installing the capital. (The factory may have trimmed the shaft before shipping.) For an architecturally correct installation, using Empire, Greek Angular Ionic, Greek Erectheum, Roman Doric Ornamental, Roman Ionic or Scamozzi capitals, the installer should trim to below the neck ring, leaving only the flat ring (fillet) directly below the neck ring. For Empire with Necking, Greek Erectheum with Necking, Modern Composite, Roman Corinthian and Temple of Winds capitals, the shaft should be trimmed flush at the top of the as-tragal molded in the shaft. See the trimming illustration at right.

Since the different capital styles have different heights, the overall maximum height of the finished column will most likely change. Please see the "Height Adjust" information in the Poly-Classic Ornamental Capitals specifications pages to determine the height difference when using ornamental capitals.

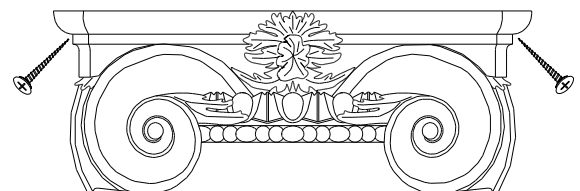
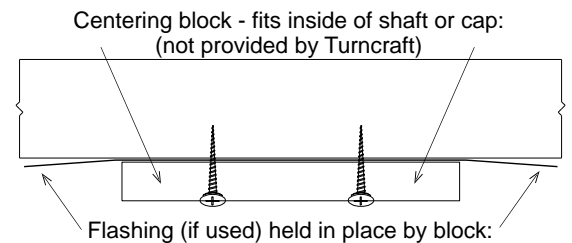
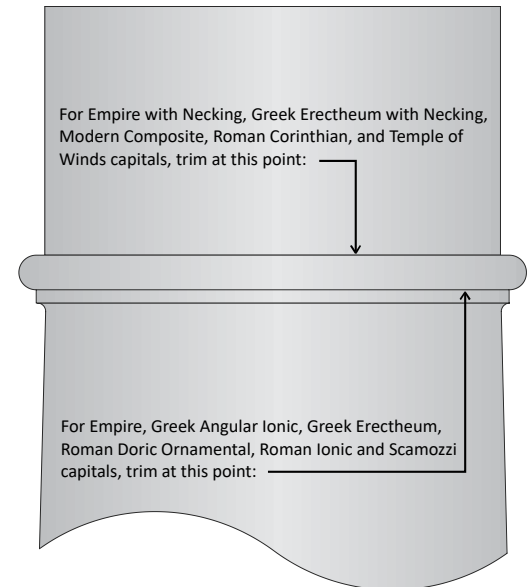
### Installation Steps (in addition to standard instructions):

- 1) All column installations should be flashed if they are placed in an area where water, debris, etc. could accumulate inside the shaft. Cut flashing approximately 1/2" larger than top of capital.
- 2) To help keep the top of the column in the correct place, you may want to cut a "centering block" to fit inside the top of the capital. Scraps of plywood or other materials are commonly used. Cut the block to fit loosely inside the top of the capital. Centering block can also be used to hold flashing (if used) in place. Attach block to beam/soffit with non-corrosive screws.
- 3) If necessary, use a circular saw with a carbide or abrasive blade to trim the top of the shaft accordingly (see top diagram at right).
- 4) Calculate the correct finish height. Measure, mark and trim the bottom of the shaft accordingly. Attach the installation brackets at the bottom of the shaft.
- 5) Column shafts:
  - A) If column is being reassembled, follow split column reassembly instructions (separate sheet) to put halves together, eliminating steps referring to the standard caps.
  - B) If column is used as a pilaster, attach blocking (furring strips) to wall as needed. Pre-drill, countersink and attach column to blocking.
  - C) Using "L" brackets, attach column at bottom (see standard column installation instructions).

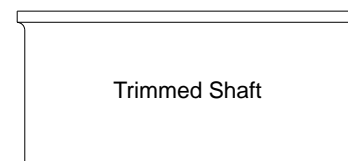
6) Pre-drill holes in capital and countersink them where screws will be needed to attach capital to blocking or beam/soffit. Apply construction adhesive to top, bottom and cut edges of one capital half. Slide half of capital in place on top of shaft. Center and attach with screws. Clean up excess adhesive immediately. For reassembled columns, repeat with second half of capital.

7) Apply construction adhesive to bottom and cut edges of base, and attach around bottom of column. Fold edges of flashing down over sides of capital. Fill all countersunk screw holes, seams, etc. with caulk. Sand, clean and finish according to standard instructions.

\* Capitals for whole columns have neck sleeves. See previous page.



Capital slides in place on top of shaft.



Trimmed Shaft